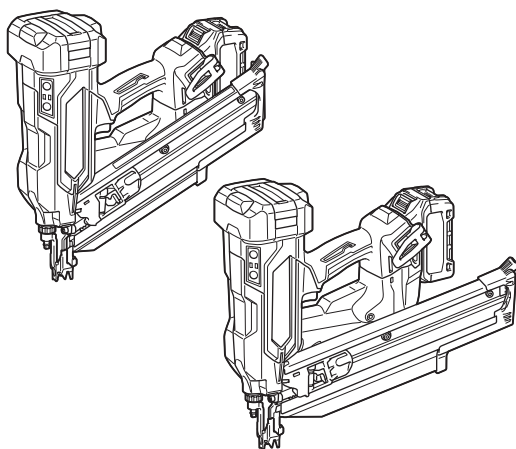


INSTRUCTION MANUAL
MANUEL D'INSTRUCTION
MANUAL DE INSTRUCCIONES



Cordless Framing Nailer Cloueur de charpente sans fil Clavadora de Estructuras Inalámbrica

BN001G
BN002G



IMPORTANT: Read Before Using.

IMPORTANT : Lire avant usage.

IMPORTANTE: Lea antes de usar.

SPECIFICATIONS

Model:	BN001G	BN002G
Figure of nail head	Clipped	Round
Nail length	50 mm - 90 mm (2" - 3-1/2")	
Shank diameter	ø2.9 mm - ø3.3 mm (ø0.113" - ø0.131")	ø2.9 mm - ø3.8 mm (ø0.113" - ø0.148")
Magazine capacity	51 - 58 nails (1 strip + 11 - 18 nails)	36 - 41 nails (1 strip + 11 - 16 nails)
Nail collation angle	30° - 34°	20° - 22°
Dimensions (L x W x H) ¹	326 mm x 186 mm x 358 mm (12-7/8" x 7-3/8" x 14-1/8")	389 mm x 189 mm x 358 mm (15-3/8" x 7-1/2" x 14-1/8")
Rated voltage	D.C. 36 V - 40 V max	
Net weight	5.3 - 6.5 kg (11.7 - 14.3 lbs)	5.4 - 6.6 kg (11.9 - 14.6 lbs)

¹with BL4025

NOTE: Nails are referred to as "fasteners" in this instruction manual unless otherwise specified.

- Due to our continuing program of research and development, the specifications herein are subject to change without notice.
- Specifications may differ from country to country.
- The net weight value includes the lightest and heaviest combination of the attachment(s) and battery cartridge(s) which are specified in the instruction manual.

Applicable battery cartridge and charger

Battery cartridge	BL4020* / BL4025* / BL4040* / BL4040F* / BL4050F / BL4080F * : Recommended battery
Charger	DC40RA / DC40RB / DC40RC / DC40WA

- Some of the battery cartridges and chargers listed above may not be available depending on your region of residence.

⚠WARNING: Only use the battery cartridges and chargers listed above. Use of any other battery cartridges and chargers may cause injury and/or fire.

SAFETY WARNINGS

General power tool safety warnings

⚠WARNING Read all safety warnings, instructions, illustrations and specifications provided with this power tool. Failure to follow all instructions listed below may result in electric shock, fire and/or serious injury.

Save all warnings and instructions for future reference.

The term "power tool" in the warnings refers to your mains-operated (corded) power tool or battery-operated (cordless) power tool.

Work area safety

1. **Keep work area clean and well lit.** Cluttered or dark areas invite accidents.
2. **Do not operate power tools in explosive atmospheres, such as in the presence of flammable liquids, gases or dust.** Power tools create sparks

which may ignite the dust or fumes.

3. **Keep children and bystanders away while operating a power tool.** Distractions can cause you to lose control.

Electrical safety

1. **Power tool plugs must match the outlet. Never modify the plug in any way. Do not use any adapter plugs with earthed (grounded) power tools.** Unmodified plugs and matching outlets will reduce risk of electric shock.
2. **Avoid body contact with earthed or grounded surfaces, such as pipes, radiators, ranges and refrigerators.** There is an increased risk of electric shock if your body is earthed or grounded.
3. **Do not expose power tools to rain or wet conditions.** Water entering a power tool will increase the risk of electric shock.
4. **Do not abuse the cord. Never use the cord for carrying, pulling or unplugging the power tool. Keep cord away from heat, oil, sharp edges or moving parts.** Damaged or entangled cords increase the risk of electric shock.

5. **When operating a power tool outdoors, use an extension cord suitable for outdoor use.** Use of a cord suitable for outdoor use reduces the risk of electric shock.
6. **If operating a power tool in a damp location is unavoidable, use a ground fault circuit interrupter (GFCI) protected supply.** Use of a GFCI reduces the risk of electric shock.
7. **Power tools can produce electromagnetic fields (EMF) that are not harmful to the user.** However, users of pacemakers and other similar medical devices should contact the maker of their device and/or doctor for advice before operating this power tool.

Personal safety

1. **Stay alert, watch what you are doing and use common sense when operating a power tool. Do not use a power tool while you are tired or under the influence of drugs, alcohol or medication.** A moment of inattention while operating power tools may result in serious personal injury.
2. **Use personal protective equipment. Always wear eye protection.** Protective equipment such as a dust mask, non-skid safety shoes, hard hat or hearing protection used for appropriate conditions will reduce personal injuries.
3. **Prevent unintentional starting. Ensure the switch is in the off-position before connecting to power source and/or battery pack, picking up or carrying the tool.** Carrying power tools with your finger on the switch or energising power tools that have the switch on invites accidents.
4. **Remove any adjusting key or wrench before turning the power tool on.** A wrench or a key left attached to a rotating part of the power tool may result in personal injury.
5. **Do not overreach. Keep proper footing and balance at all times.** This enables better control of the power tool in unexpected situations.
6. **Dress properly. Do not wear loose clothing or jewellery. Keep your hair and clothing away from moving parts.** Loose clothes, jewellery or long hair can be caught in moving parts.
7. **If devices are provided for the connection of dust extraction and collection facilities, ensure these are connected and properly used.** Use of dust collection can reduce dust-related hazards.
8. **Do not let familiarity gained from frequent use of tools allow you to become complacent and ignore tool safety principles.** A careless action can cause severe injury within a fraction of a second.
9. **Always wear protective goggles to protect your eyes from injury when using power tools. The goggles must comply with ANSI Z87.1 in the USA.**
It is an employer's responsibility to enforce the use of appropriate safety protective equipment by the tool operators and by other persons in the immediate working area.

Power tool use and care

1. **Do not force the power tool. Use the correct power tool for your application.** The correct power tool will do the job better and safer at the

rate for which it was designed.

2. **Do not use the power tool if the switch does not turn it on and off.** Any power tool that cannot be controlled with the switch is dangerous and must be repaired.
3. **Disconnect the plug from the power source and/or remove the battery pack, if detachable, from the power tool before making any adjustments, changing accessories, or storing power tools.** Such preventive safety measures reduce the risk of starting the power tool accidentally.
4. **Store idle power tools out of the reach of children and do not allow persons unfamiliar with the power tool or these instructions to operate the power tool.** Power tools are dangerous in the hands of untrained users.
5. **Maintain power tools and accessories. Check for misalignment or binding of moving parts, breakage of parts and any other condition that may affect the power tool's operation. If damaged, have the power tool repaired before use.** Many accidents are caused by poorly maintained power tools.
6. **Keep cutting tools sharp and clean.** Properly maintained cutting tools with sharp cutting edges are less likely to bind and are easier to control.
7. **Use the power tool, accessories and tool bits etc. in accordance with these instructions, taking into account the working conditions and the work to be performed.** Use of the power tool for operations different from those intended could result in a hazardous situation.
8. **Keep handles and grasping surfaces dry, clean and free from oil and grease.** Slippery handles and grasping surfaces do not allow for safe handling and control of the tool in unexpected situations.
9. **When using the tool, do not wear cloth work gloves which may be entangled.** The entanglement of cloth work gloves in the moving parts may result in personal injury.

Battery tool use and care

1. **Recharge only with the charger specified by the manufacturer.** A charger that is suitable for one type of battery pack may create a risk of fire when used with another battery pack.
2. **Use power tools only with specifically designated battery packs.** Use of any other battery packs may create a risk of injury and fire.
3. **When battery pack is not in use, keep it away from other metal objects, like paper clips, coins, keys, nails, screws or other small metal objects, that can make a connection from one terminal to another.** Shorting the battery terminals together may cause burns or a fire.
4. **Under abusive conditions, liquid may be ejected from the battery; avoid contact. If contact accidentally occurs, flush with water. If liquid contacts eyes, additionally seek medical help.** Liquid ejected from the battery may cause irritation or burns.
5. **Do not use a battery pack or tool that is damaged or modified.** Damaged or modified batteries may exhibit unpredictable behaviour resulting in fire, explosion or risk of injury.

6. **Do not expose a battery pack or tool to fire or excessive temperature.** Exposure to fire or temperature above 130 °C (265°F) may cause explosion.
7. **Follow all charging instructions and do not charge the battery pack or tool outside the temperature range specified in the instructions.** Charging improperly or at temperatures outside the specified range may damage the battery and increase the risk of fire.

Service

1. **Have your power tool serviced by a qualified repair person using only identical replacement parts.** This will ensure that the safety of the power tool is maintained.
2. **Never service damaged battery packs.** Service of battery packs should only be performed by the manufacturer or authorized service providers.
3. **Follow instruction for lubricating and changing accessories.**
4. **Do not modify or attempt to repair the appliance or the battery pack except as indicated in the instructions for use and care.**

Cordless nailer safety warnings

1. **Always assume that the tool contains fasteners.** Careless handling of the nailer can result in unexpected firing of fasteners and personal injury.
2. **Do not point the tool towards yourself or anyone nearby.** Unexpected triggering will discharge the fastener causing an injury.
3. **Do not actuate the tool unless the tool is placed firmly against the workpiece.** If the tool is not in contact with the workpiece, the fastener may be deflected away from your target.
4. **Disconnect the tool from the power source when the fastener jams in the tool.** While removing a jammed fastener, the nailer may be accidentally activated if it is plugged in.
5. **Use caution while removing a jammed fastener.** The mechanism may be under compression and the fastener may be forcefully discharged while attempting to free a jammed condition.
6. **Do not use this nailer for fastening electrical cables.** It is not designed for electric cable installation and may damage the insulation of electric cables thereby causing electric shock or fire hazards.
7. **Always wear safety glasses to protect your eyes from dust or fastener injury.**
8. **Keep hands and feet away from the ejection port area.**
9. **Always remove the battery cartridge before loading the fasteners, adjustment, inspection, maintenance or after operation is over.**
10. **Make sure no one is nearby before operation. Never attempt to drive fasteners from both the inside and outside of wall at the same time.** Fasteners may rip through and/or fly off, presenting a grave danger.
11. **Watch your footing and maintain your balance with the tool. Make sure there is no one below when working in high locations.**


12. **Never use fastener driving tools marked with the symbol "Do not use on scaffoldings, ladders" for specific application for example:**
 - when changing one driving location to another involves the use of scaffoldings, stairs, ladders, or ladder alike constructions, e.g. roof laths;
 - closing boxes or crates;
 - fitting transportation safety systems e.g. on vehicles and wagons.
13. **Check walls, ceilings, floors, roofing and the like carefully to avoid possible electrical shock, gas leakage, explosions, etc. caused by stapling into live wires, conduits or gas pipes.**
14. **Use only fasteners specified in this manual.** The use of any other fasteners may cause malfunction of the tool.
15. **Do not tamper with the tool or attempt to use it for other than driving fasteners.**
16. **Do not operate the tool without fasteners.** It shortens the service life of the tool.
17. **Stop driving operations immediately if you notice something wrong or out of the ordinary with the tool.**
18. **Never fasten into any materials which may allow the fastener to puncture and fly through as a projectile.**
19. **Never actuate the switch trigger and contact element at the same time until you are prepared to fasten workpieces. Allow the workpiece to depress the contact element. Never defeat its purpose by securing the contact element back or by depressing it by hand.**
20. **Never tamper with the contact element. Check the contact element frequently for proper operations.**
21. **Always remove fasteners from the tool when not in use.**
22. **Avoid placing magnets or similar magnetic device too close to the tool.** It may affect the magnetic sensor in the tool.

SAVE THESE INSTRUCTIONS.

⚠WARNING: DO NOT let comfort or familiarity with product (gained from repeated use) replace strict adherence to safety rules for the subject product. MISUSE or failure to follow the safety rules stated in this instruction manual may cause serious personal injury.

Symbols

The followings show the symbols used for tool.

V	volts
— ---	direct current
	Read and understand tool labels and manual. Failure to follow warnings could result in death or serious injury.



Operators and others in work area must wear safety glasses with side shields.



Keep fingers away from trigger when not driving fasteners to avoid accidental discharge.

Important safety instructions for battery cartridge

1. Before using battery cartridge, read all instructions and cautionary markings on (1) battery charger, (2) battery, and (3) product using battery.
2. Do not disassemble or tamper with the battery cartridge. It may result in a fire, excessive heat, or explosion.
3. If operating time has become excessively shorter, stop operating immediately. It may result in a risk of overheating, possible burns and even an explosion.
4. If electrolyte gets into your eyes, rinse them out with clear water and seek medical attention right away. It may result in loss of your eyesight.
5. Do not short the battery cartridge:
 - (1) Do not touch the terminals with any conductive material.
 - (2) Avoid storing battery cartridge in a container with other metal objects such as nails, coins, etc.
 - (3) Do not expose battery cartridge to water or rain.

A battery short can cause a large current flow, overheating, possible burns and even a breakdown.
6. Do not store and use the tool and battery cartridge in locations where the temperature may reach or exceed 50 °C (122 °F).
7. Do not incinerate the battery cartridge even if it is severely damaged or is completely worn out. The battery cartridge can explode in a fire.
8. Do not nail, cut, crush, throw, drop the battery cartridge, or hit against a hard object to the battery cartridge. Such conduct may result in a fire, excessive heat, or explosion.
9. Do not use a damaged battery.
10. The contained lithium-ion batteries are subject to the Dangerous Goods Legislation requirements.

For commercial transports e.g. by third parties, forwarding agents, special requirement on packaging and labeling must be observed. For preparation of the item being shipped, consulting an expert for hazardous material is required. Please also observe possibly more detailed national regulations.

Tape or mask off open contacts and pack up the battery in such a manner that it cannot move around in the packaging.
11. When disposing the battery cartridge, remove it from the tool and dispose of it in a safe place. Follow your local regulations relating to disposal of battery.

12. Use the batteries only with the products specified by Makita. Installing the batteries to non-compliant products may result in a fire, excessive heat, explosion, or leak of electrolyte.
13. If the tool is not used for a long period of time, the battery must be removed from the tool.
14. During and after use, the battery cartridge may take on heat which can cause burns or low temperature burns. Pay attention to the handling of hot battery cartridges.
15. Do not touch the terminal of the tool immediately after use as it may get hot enough to cause burns.
16. Do not allow chips, dust, or soil stuck into the terminals, holes, and grooves of the battery cartridge. It may cause heating, catching fire, burst and malfunction of the tool or battery cartridge, resulting in burns or personal injury.
17. Unless the tool supports the use near high-voltage electrical power lines, do not use the battery cartridge near high-voltage electrical power lines. It may result in a malfunction or breakdown of the tool or battery cartridge.
18. Keep the battery away from children.

SAVE THESE INSTRUCTIONS.

CAUTION: Only use genuine Makita batteries. Use of non-genuine Makita batteries, or batteries that have been altered, may result in the battery bursting causing fires, personal injury and damage. It will also void the Makita warranty for the Makita tool and charger.

NOTICE: Makita is not responsible for any accidents resulting from the use of non-genuine Makita batteries or batteries that have been modified. Genuine Makita batteries have been rigorously evaluated for compatibility with Makita tools and chargers, in line with applicable legislation and safety standards.

Tips for maintaining maximum battery life

1. Charge the battery cartridge before completely discharged. Always stop tool operation and charge the battery cartridge when you notice less tool power.
2. Never recharge a fully charged battery cartridge. Overcharging shortens the battery service life.
3. Charge the battery cartridge with room temperature at 10 °C - 40 °C (50 °F - 104 °F). Let a hot battery cartridge cool down before charging it.
4. When not using the battery cartridge, remove it from the tool or the charger.
5. Charge the battery cartridge if you do not use it for a long period (more than six months).

FUNCTIONAL DESCRIPTION

CAUTION: Always be sure that the tool is switched off and the battery cartridge is removed before adjusting or checking function on the tool.

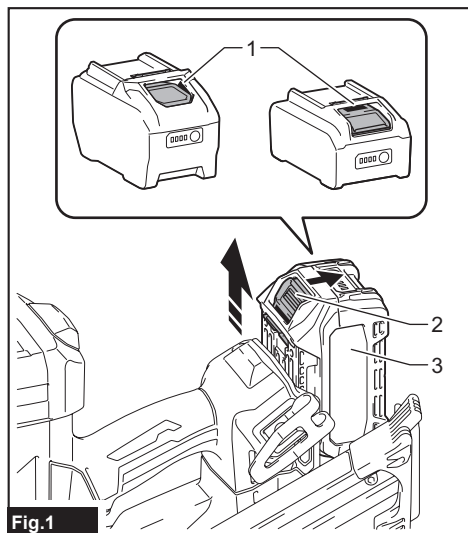
Installing or removing battery cartridge

CAUTION: Always switch off the tool before installing or removing of the battery cartridge.

CAUTION: Hold the tool and the battery cartridge firmly when installing or removing battery cartridge. Failure to hold the tool and the battery cartridge firmly may cause them to slip off your hands and result in damage to the tool and battery cartridge and a personal injury.

To install the battery cartridge, align the tongue on the battery cartridge with the groove in the housing and slip it into place. Insert it all the way until it locks in place with a little click. If you can see the red indicator as shown in the figure, it is not locked completely.

To remove the battery cartridge, slide it from the tool while sliding the button on the front of the cartridge.



► 1. Red indicator 2. Button 3. Battery cartridge

CAUTION: Always install the battery cartridge fully until the red indicator cannot be seen. If not, it may accidentally fall out of the tool, causing injury to you or someone around you.

CAUTION: Do not install the battery cartridge forcibly. If the cartridge does not slide in easily, it is not being inserted correctly.

Indicating the remaining battery capacity

Press the check button on the battery cartridge to indicate the remaining battery capacity. The indicator lamps light up for a few seconds.

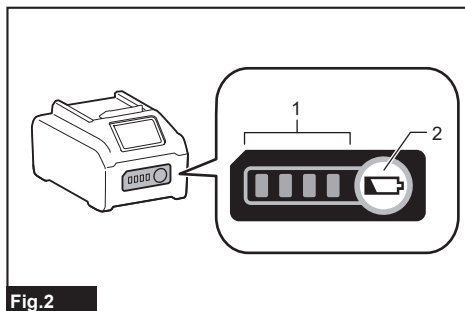


Fig.2

► 1. Indicator lamps 2. Check button

Indicator lamps			Remaining capacity
Lighted	Off	Blinking	
■ ■ ■ ■			75% to 100%
■ ■ ■ □			50% to 75%
■ ■ □ □			25% to 50%
■ □ □ □			0% to 25%
▬ □ □ □			Charge the battery.
■ ■ □ □			The battery may have malfunctioned.
□ □ ■ ■	↑ ↓		

NOTE: Depending on the conditions of use and the ambient temperature, the indication may differ slightly from the actual capacity.

NOTE: The first (far left) indicator lamp will blink when the battery protection system works.

Tool / battery protection system

The tool is equipped with a tool/battery protection system. This system automatically cuts off power to the motor to extend tool and battery life. The tool will automatically stop during operation if the tool or battery is placed under one of the following conditions.

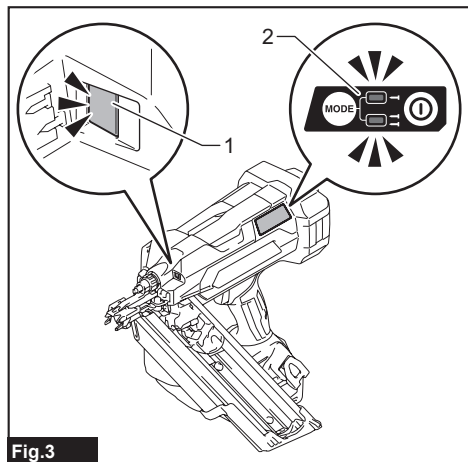


Fig.3

► 1. Lamp 2. Power/mode indicator

NOTE: The switch design varies depending on your region of residence.

Protection status indication

Lamp		Power/mode indicator		Status
On	Blinking	On	Blinking	
				Overload
				Overheat

Overload protection

When the tool/battery is operated in a manner that causes it to draw an abnormally high current, the tool automatically stops. In this situation, turn the tool off and stop the application that caused the tool to become overloaded. Then turn the tool on to restart.

Overheat protection

When the tool/battery is overheated, the tool stops automatically. In this situation, let the tool cool down before turning the tool on again.

Overdischarge protection

When the battery capacity becomes low, the tool stops automatically. If the product does not operate even when the switches are operated, remove the battery(ies) from the tool and charge the battery(ies).

Protections against other causes

Protection system is also designed for other causes that could damage the tool and allows the tool to stop automatically. Take all the following steps to clear the causes, when the tool has been brought to a temporary halt or stop in operation.

1. Make sure that all switch(es) is/are in the off position, and then turn the tool on again to restart.
2. Charge the battery(ies) or replace it/them with recharged battery(ies).
3. Let the tool and battery(ies) cool down.

If no improvement can be found by restoring protection system, then contact your local Makita Service Center.

Power switch action

CAUTION: Before installing the battery cartridge into the tool, always check to see that the switch trigger actuates properly and returns to the "OFF" position when released.

To turn on the tool, press and hold the main power button until the power indicator lights up. To turn off the tool, press and hold the main power button until the power indicator goes off.

NOTE: The switch design varies depending on your region of residence.

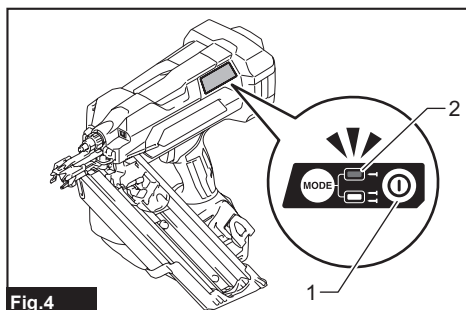


Fig.4

► 1. Main power button 2. Power indicator

NOTE: The tool cannot be turned on while either the switch trigger or the contact element is actuated. Be sure to release the switch trigger and the contact element before turning on the tool.

NOTE: The tool cannot be turned off while driving fasteners.

NOTE: The main power switch will automatically shut down if the tool is left unattended for an extended duration.

Selecting actuation mode

Country specific

NOTE: Only a single driving mode (full sequential actuation) is available in some regions or countries. The switch design varies depending on your region of residence.

The tool employs a selective-actuation triggering. Press and shortly hold the actuation mode switch button to select the desired actuation mode.

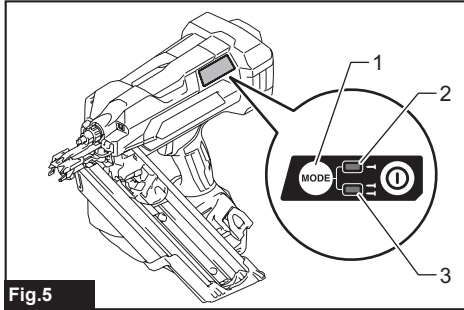


Fig. 5

- 1. Actuation mode switch button 2. Sequential actuation mode 3. Contact actuation mode

Mode switch	Actuation mode	Feature
	Full sequential actuation	Drive one fastener in one sequential operation. Suitable for driving a fastener carefully and accurately and helpful when you require precise fastener placement.
	Contact actuation	Either a single driving or continuous driving is available. Preferred when you require high productive fastener placement.

: Unavailable in some regions and countries.

NOTE: Actuation mode cannot be switched to another while either the switch trigger or the contact element is actuated.

Adjusting the driving depth

WARNING: Always make sure that your fingers are not placed on the switch trigger or the contact element and the battery cartridge is removed before adjusting the depth of driving.

Turn the depth adjuster to adjust the driving depth. The driving depth gets deeper as you turn the depth adjuster to A direction, shallower to B direction in the figure. The range of the driving depth adjustment is 8.5 mm (11/32").

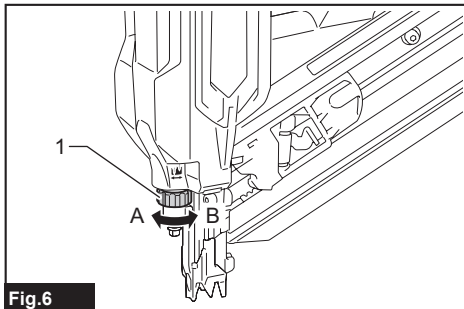


Fig. 6

- 1. Depth adjuster

NOTICE: Do not turn the depth adjuster too much, or the depth adjuster may get stuck.

Adjust the driving depth as necessary.

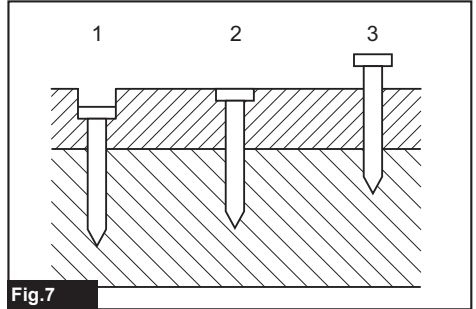


Fig. 7

- 1. Too deep 2. Flush 3. Too shallow

Lighting up the lamp

CAUTION: Do not look in the light or see the source of light directly.

Pull the switch trigger or actuate the contact element to light up the lamp. The lamp keeps on lighting while pulling the switch trigger or actuating the contact element. The lamp goes out several seconds after releasing the switch trigger and the contact element.

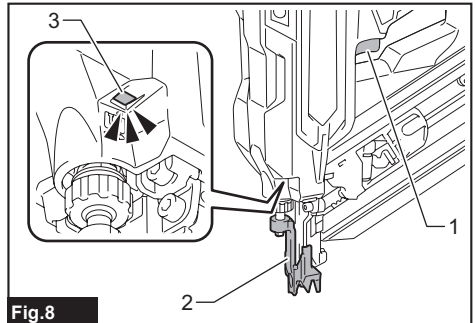


Fig. 8

- 1. Switch trigger 2. Contact element 3. Lamp

NOTICE: Use a dry cloth to wipe the dirt off the lens of the lamp. Be careful not to scratch the lens of lamp, or it may lower the illumination.

NOTICE: When the tool is overheated, the lamp flashes. In this case, release the switch trigger and contact element, and then cool down the tool/battery before operating again.

NOTE: The tool may not fire after the battery becomes low on power even while the lamp remains lit. In this case, charge the battery cartridge.

ASSEMBLY

CAUTION: Always be sure that the tool is switched off and the battery cartridge is removed before carrying out any work on the tool.

Loading/unloading the fasteners

CAUTION: Always make sure that the battery cartridge is removed before loading the fasteners. Unintentional firing may cause personal injuries and property damage.

CAUTION: Load the fasteners in the correct direction. Loading in wrong direction may cause premature wear and tear of the driver and damage of the other parts.

CAUTION: Be careful not to get your fingers caught in the magazine. The pusher tends to spring back to its original position when the pusher is unlocked.

CAUTION: Do not abruptly slide the pusher with fasteners loaded in the magazine. Accidentally dropping fasteners especially when working in high places may cause personal injuries.

NOTICE: Gently slide the pusher along the magazine. A forceful contact between the pusher and fastener strip may damage the fasteners.

1. Remove the battery cartridge.
2. Insert a fastener strip into the slit of the magazine. Make sure to align the outlines of the fastener heads with that of the slit.

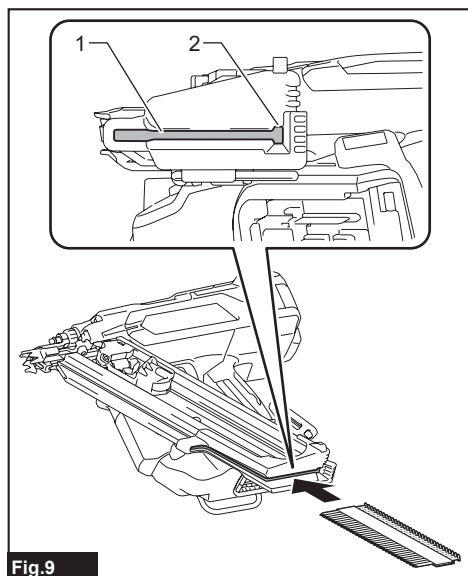


Fig.9

- 1. Slit 2. Fastener head outline

3. Pinch the pusher lever to raise the pusher plate up above the fastener strip loaded. Then pull the pusher towards the slit.

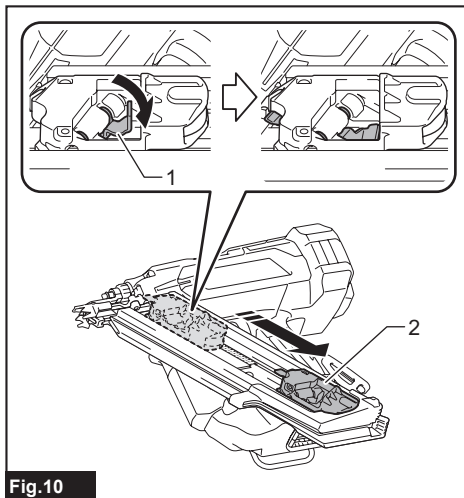


Fig.10

- 1. Pusher lever 2. Pusher

4. Set the pusher lever free and slide the pusher back by releasing the spring tension safely.

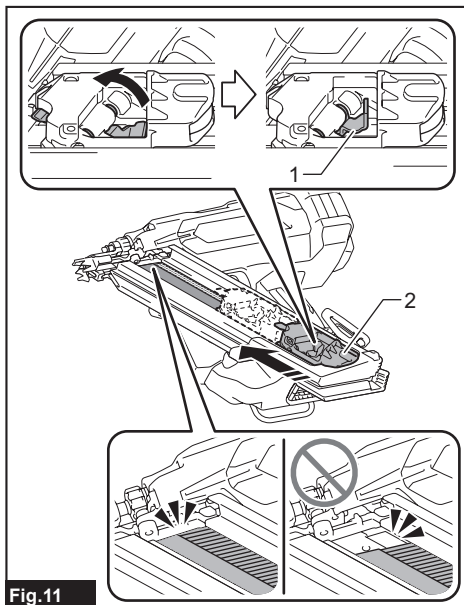


Fig.11

- 1. Pusher lever 2. Pusher

NOTICE: Make sure that the fastener strip is properly aligned in the magazine and secured with the pusher. If not, try reloading.

NOTICE: Do not use deformed fasteners and fastener strips. Use fasteners specified in this manual. Using fasteners other than those specified may cause fastener jamming and malfunction.

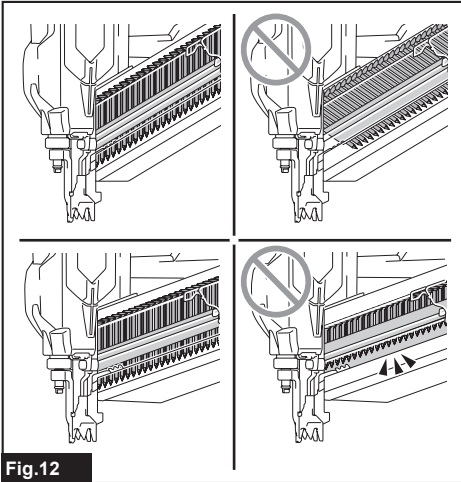


Fig.12

To remove fasteners, follow the installation procedures in reverse.

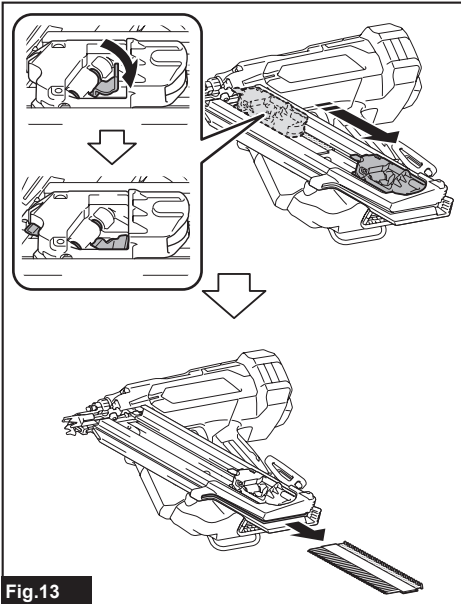


Fig.13

Installing extended capacity magazine

Optional accessory

CAUTION: Always make sure to unload all the fasteners left in the magazine and remove the battery cartridge from the tool before installing an extended capacity magazine.

Use a large-capacity magazine attachment so the tool carries more the fasteners.

1. Loosen and remove the bolts that secure the magazine using the hex wrench.

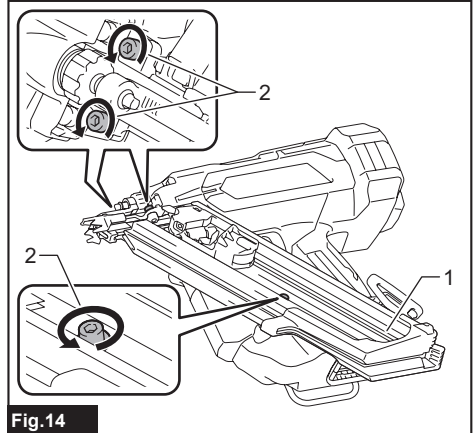


Fig.14

1. Magazine 2. Bolts

2. Lift the free end of the standard equipped magazine slightly and pull it straight out.

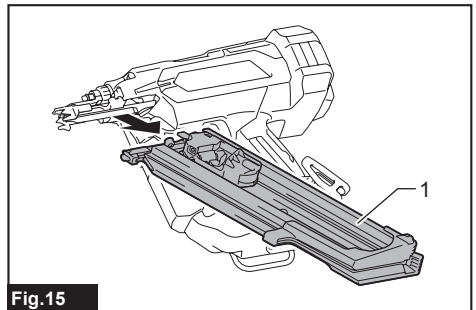


Fig.15

1. Standard equipped magazine

- Insert the lock plate in the extended capacity magazine into the lock groove in the driver guide at an angle. Align the bolt holes in the magazine with those in the driver guide. Then tighten the bolts a little at a time using the hex wrench.

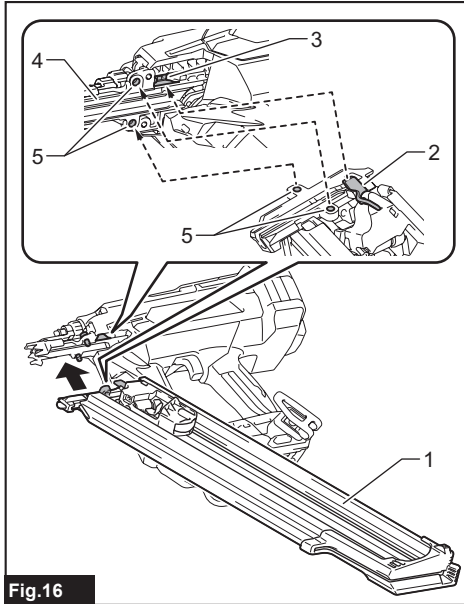


Fig.16

- ▶ 1. Extended capacity magazine 2. Lock plate 3. Lock groove 4. Driver guide 5. Bolt holes
- Tighten the extended capacity magazine on the tool body with the bolt.
 - Retighten all the bolts up to secure the extended capacity magazine.

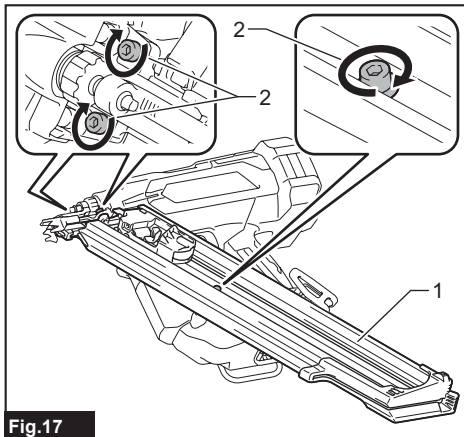


Fig.17

- ▶ 1. Extended capacity magazine 2. Bolts

Nose adapter

CAUTION: Always make sure that your fingers are not placed on the switch trigger or the contact element, remove all the fasteners left in the magazine, and remove the battery cartridge before attaching or detaching the nose adapter.

When driving fasteners on the material with easily-marred surfaces, attach the nose adapter onto the contact element.

NOTE: If you want to fix the formwork by lifting the fastener head off the surface of the formwork, you can easily float the fastener head by using the fastener head lifting adapter (optional accessory).

Attaching nose adapter

- Lightly place the nose adapter over the contact element.
- Release the switch trigger.
- Place the contact element flat on the material that can be damaged.
- Push the contact element through until the nose adapter securely fits onto the contact element.

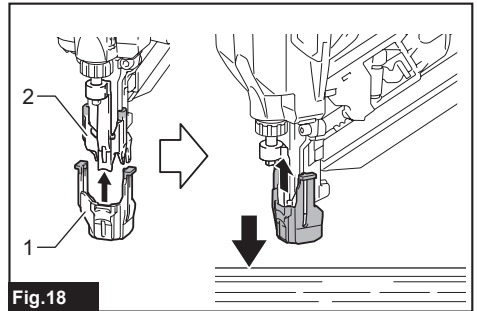


Fig.18

- ▶ 1. Nose adapter 2. Contact element

NOTE: Make sure that the hooked arm ends of the nose adapter fully engage the contact element.

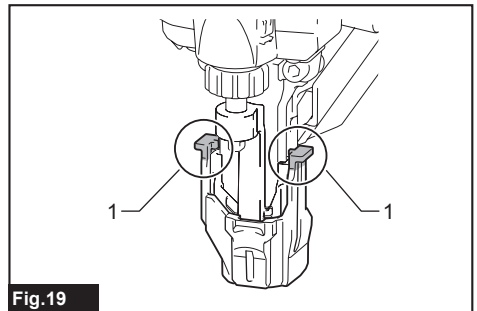


Fig.19

- ▶ 1. Hooked arm ends

Detaching nose adapter

1. Turn the tool upside down.
2. Disengage the arms of the nose adapter from the contact element and slide the nose adapter out of the assembly.

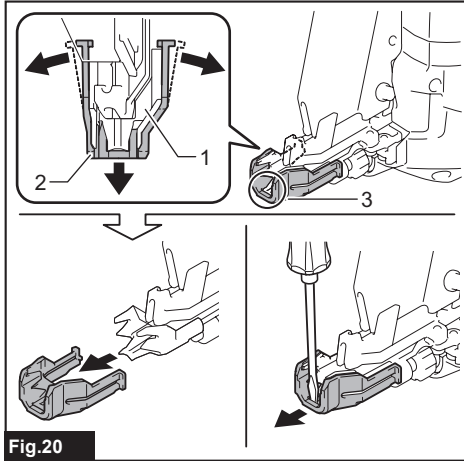


Fig.20

- 1. Contact element 2. Nose adapter 3. Gap

NOTE: Use a slotted screwdriver to pry apart pieces if you find it hard to detach the nose adapter.

Hook

⚠ WARNING: Be careful not to overload the hook as too much force. Otherwise irregular overburden may cause damages to the tool resulting in personal injury.

⚠ CAUTION: Do not hang the hook from the waist belt. Dropping the tool, which is caused by the hook accidentally coming out of place, may cause unintentional firing and result in personal injuries.

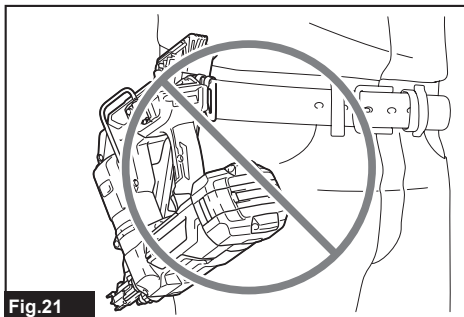


Fig.21

⚠ CAUTION: When installing the hook, always secure it with the screw firmly. If not, the hook may come off from the tool and result in the personal injury.

⚠ CAUTION: Use the hanging/mounting parts for their intended purposes only. Using for unintended purpose may cause accident or personal injury.

⚠ CAUTION: Make sure to hang the tool securely before releasing your hold. Insufficient or unbalanced hooking may cause falling off and you may be injured.

Two types of tool hooks are available according to your needs. Use either a clip-shaped hook or C-shaped hook to hang the tool on a tool rack, rail or the wall.

Clip-shaped hook

Insert the clip-shaped hook into a groove in the tool housing, and then secure it with a hex bolt. To remove the clip-shaped hook, loosen the bolt and then take the hook out.

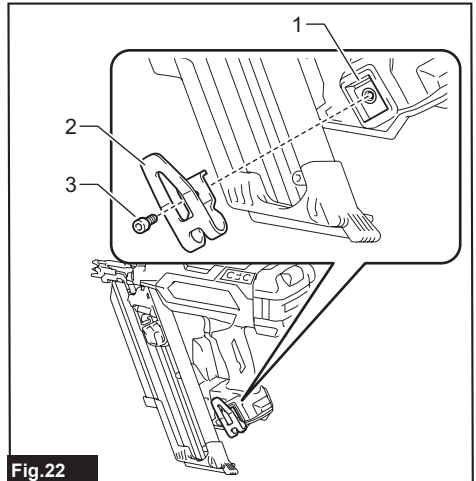


Fig.22

- 1. Groove 2. Clip-shaped hook 3. Hex bolt

C-shaped hook

Aligning the two sets of bolt holes, place the C-shaped hook on the tool housing with the opening of the C-shaped hook faces upwards. Tighten the C-shaped hook with two hex bolts.

To remove the C-shaped hook, loosen the bolts and then take the hook out.

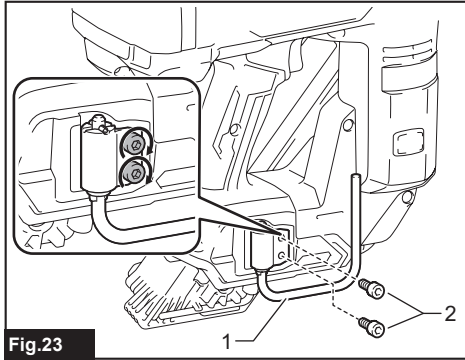


Fig.23

► 1. C-shaped hook 2. Hex bolts

The C-shaped hook can be positioned open at 90-degree intervals. Push and hold the hook upwards and swing it to your desired position.

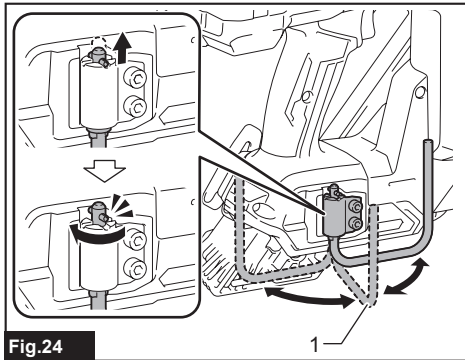


Fig.24

► 1. C-shaped hook

Hex wrench storage

When not in use, store the hex wrench as shown in the figure to keep it from being lost.

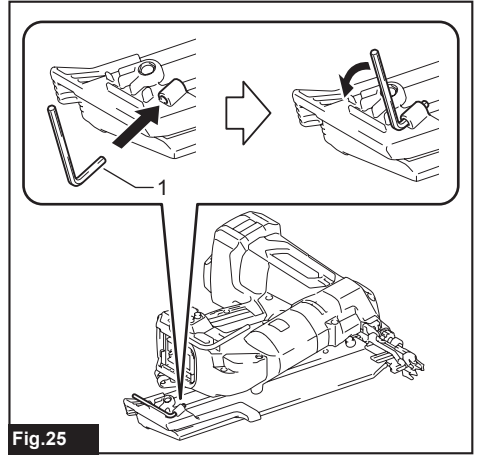


Fig.25

► 1. Hex wrench

OPERATION

Testing safety system

⚠ WARNING: Make sure all safety systems are in working order before operation. Failure to do so may cause personal injuries.

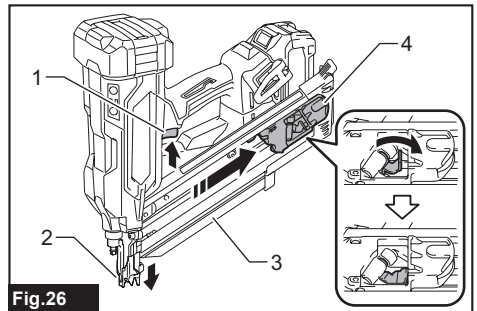


Fig.26

► 1. Switch trigger 2. Contact element 3. Magazine 4. Pusher

Test safety system as follows for possible fault or malfunction before operation.

1. Remove the battery cartridge from the tool. Then unload all the fasteners left in the magazine.
2. Install the battery cartridge in place and turn the tool on.
3. Pull the switch trigger without placing the contact element against the material.

4. Pull the pusher downward and hold it in place. Then place the contact element against the material without pulling the switch trigger.

If the tool works in case step 3 or 4 described above, safety system is not functioning properly. Stop using the tool immediately and ask your local Makita Service Center.

Handling of the fasteners

Nails

Handle nails and their box carefully. If the nails have been handled roughly, they may be out of shape or their connector breaks, causing poor nail feed.

NOTICE: Avoid storing nails in a very humid or hot place or place exposed to direct sunlight.

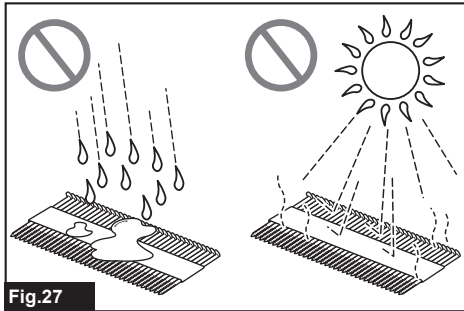


Fig.27

Driving fasteners

⚠ WARNING: Keep your face away from the tool when operating the tool. Failure to do so may cause injury.

⚠ WARNING: Do not use this tool for fastening electrical cables. This tool is not designed for electric cable installation and may damage the insulation of electric cables thereby causing electric shock or fire hazards.

⚠ WARNING: Continue to place the contact element firmly on the material until the fastener is driven completely. Unintentional firing may cause personal injuries.

⚠ CAUTION: Hold the tool firmly during operation.

⚠ CAUTION: Do not drive fasteners on hard materials such as metal or the like. If the fastener cannot penetrate the material, the tool may be kicked back toward you and injury result.

NOTICE: The tool will not start fastening after five seconds no switch operation while either the switch trigger or the contact element is being solely actuated. Release the switch trigger or pull the contact element free from the workpiece, and then reposition the tool in place to restart fastening.

NOTE: If you drive fasteners continuously for a long time, the exhaust air will get hot due to the heat from the motor.

The tool employs two driving actions; full sequential actuation and contact actuation.

NOTE: Only a single driving mode (full sequential actuation) is available in some regions or countries. The switch design varies depending on your region of residence.

Full sequential actuation

In this mode, you can drive one fastener by one sequential operation.

A workpiece contact and then a trigger need to be activated in a specific sequence to actuate the tool. Release and re-activate the switch controls in the same sequence to continue driving fasteners.

1. Press and hold the main power button to turn on the tool.
2. Make sure that the sequential actuation mode lamp lights up.

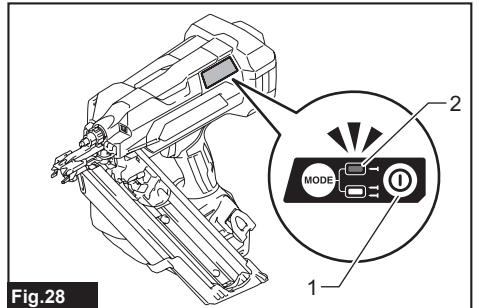


Fig.28

- 1. Main power button 2. Sequential actuation mode lamp

3. Place the contact element flat on the material.

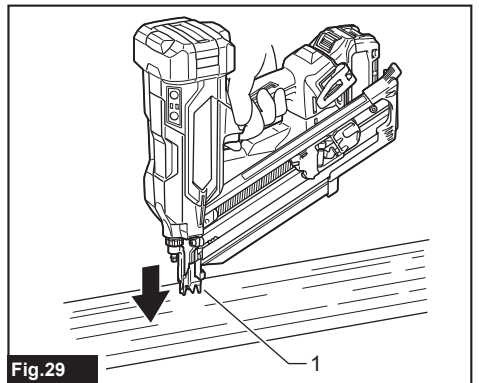


Fig.29

- 1. Contact element

- Pull the switch trigger fully to drive a fastener.

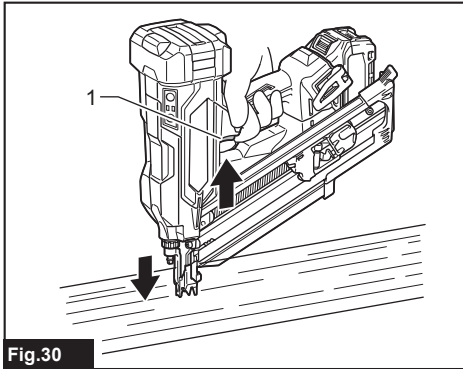


Fig.30

- Switch trigger

- Release your finger from the switch trigger. Then lift the contact element up from the material.

To drive the next fastener, repeat the steps 3 to 5 in the same sequence.

Contact actuation

Country specific

In this mode, you can choose either continuous or single driving by following any sequences of the trigger operation.

A workpiece contact and a trigger can be activated in any sequences to actuate the tool. Release and re-activate the workpiece contact to continuously drive fasteners.

For a single driving

- Press and hold the main power button to turn on the tool.
- Press and shortly hold the actuation mode switch button to select the contact actuation mode.

The contact actuation mode lamp lights up.

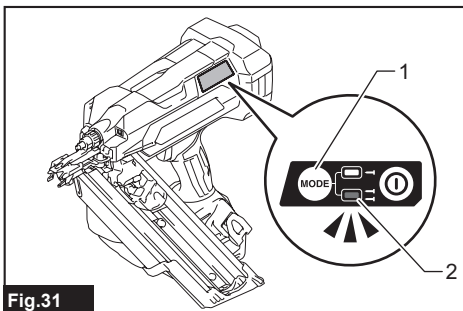


Fig.31

- Actuation mode switch button
- Contact actuation mode lamp

- Place the contact element flat on the material.
- Pull the switch trigger fully to drive a fastener.
- Release your finger from the switch trigger. Then lift the contact element up from the material.

To drive the next fastener, repeat the steps 3 to 5 in the same sequence.

For a continuous driving

- Press and hold the main power button to turn on the tool.
- Press and shortly hold the actuation mode switch button to select the contact actuation mode.

The contact actuation mode lamp lights up.

- Pull the switch trigger.

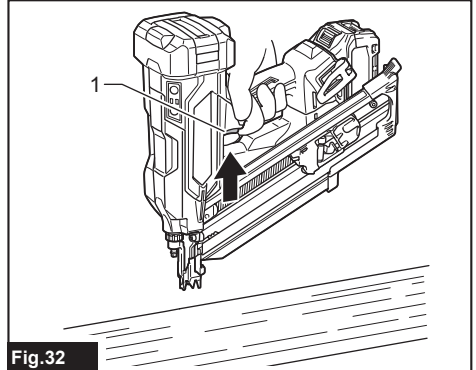


Fig.32

- Switch trigger

- Place the contact element flat on the material to drive a fastener.

- Move the tool to the next areas with the switch trigger pulled, and place the contact element flat on the material to drive following fasteners.

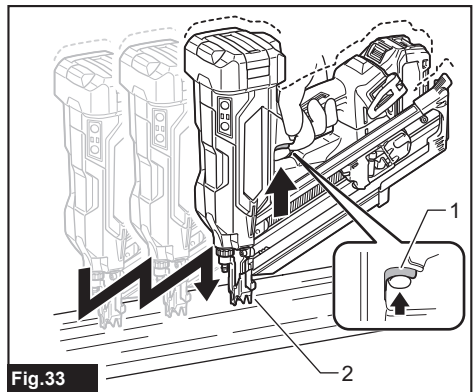


Fig.33

- Switch trigger
- Contact element

Anti dry fire mechanism

When the remaining fasteners in the magazine decrease to 7 - 9 pieces for model BN001G / 6 - 7 pieces for model BN002G, the switch can no longer be actuated and the tool stops firing. Insert a new strip of fasteners in the magazine before restarting operation.

Removing jammed fasteners

⚠ WARNING: Always make sure that the battery cartridge and fasteners are removed before removing jammed fasteners.

⚠ WARNING: Do not push on the fastener driver forcibly. Do not strike the fastener driver and fasteners with any hand tools to clear jams. Mind that the tool is charged with compressed air and the pressure is maintained inside. Failure to follow the safety precautions in the manual can result in serious injury.

⚠ WARNING: Never point the tool at yourself or other persons nearby when clearing jams. Failure to do so may cause a risk of injury by misfiring since the tool is charged with compressed air in a factory sealed chamber.

⚠ CAUTION: Do not remove the jammed fasteners with bare hands. The fastener may jump out of the magazine and cause an injury.

⚠ CAUTION: To address frequent jamming or hard-to-clear jamming situations, consult your local Makita Service Center.

When a fastener jamming occurs, look over closely the fastener feeding and driving unit. Jams tend to be caused by fasteners wedged between the driver and the driver guide.

1. Remove the battery cartridge from the tool.
2. Take out all the fasteners left in the magazine.
3. Clear a jam using pliers or the like.

NOTE: Dismount the magazine from the tool if jamming occurs inside the fastener feeding and driving unit.

4. Loosen and remove the bolts that secure the magazine using the hex wrench. Then lift the free end of the magazine slightly and pull it straight out.

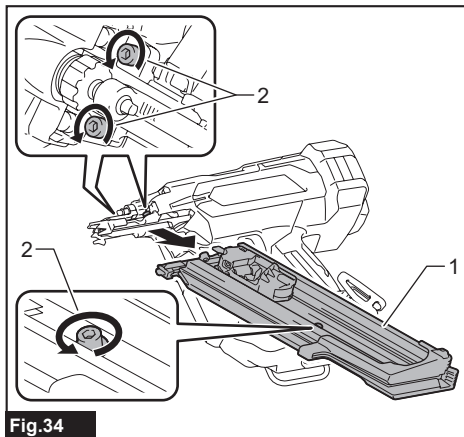


Fig.34

- 1. Magazine 2. Bolts

5. Clear jammed fasteners in the fastener exit opening or through the driver guide.

Use pliers to bend the jammed fastener so that the fastener head comes out of the slot in the driver guide. Then remove the jammed fastener.

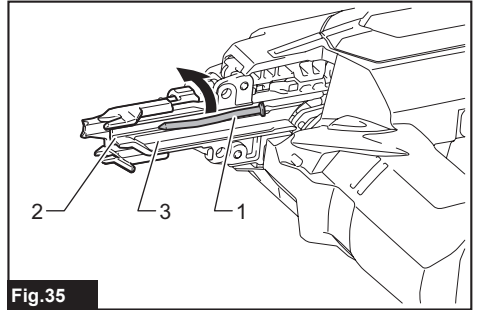


Fig.35

- 1. Jammed fastener 2. Fastener exit opening
3. Driver guide

A jamming may occur at the fastener feeding slot in the magazine. Use pliers to bend the jammed fastener so that the fastener head comes out of the slot in the magazine. Then remove the jammed fastener.

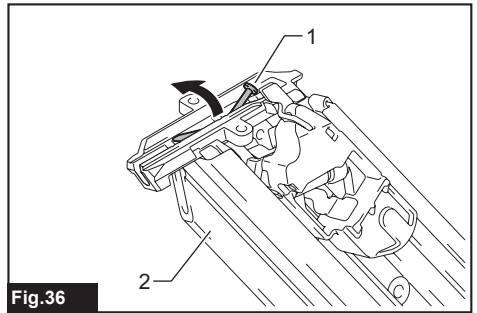


Fig.36

- 1. Jammed fastener 2. Magazine

6. Insert the lock plate in the magazine into the lock groove in the driver guide at an angle. Align the bolt holes in the magazine with those in the driver guide. Tighten the magazine on the tool body with the bolts.

MAINTENANCE

⚠ WARNING: Do not disassemble this tool. This tool is sealed with compressed air and disassembly may result in serious injury.



CAUTION: Always be sure that the tool is switched off and the battery cartridge is removed before attempting to perform inspection or maintenance.

NOTICE: Never use gasoline, benzine, thinner, alcohol or the like. Discoloration, deformation or cracks may result.

To maintain product SAFETY and RELIABILITY, repairs, any other maintenance or adjustment should be performed by Makita Authorized or Factory Service Centers, always using Makita replacement parts.

Preventive maintenance

Thoroughly clean and inspect moving components (i.e., contact element, pusher, etc.) on a regular basis, keeping them free of dust and dirt that may accumulate over time.

NOTE: If the moving and sliding components, as following illustrated, seem to work poorly or inefficiently, blow any dirt and dust adhered around off and then wipe clean.

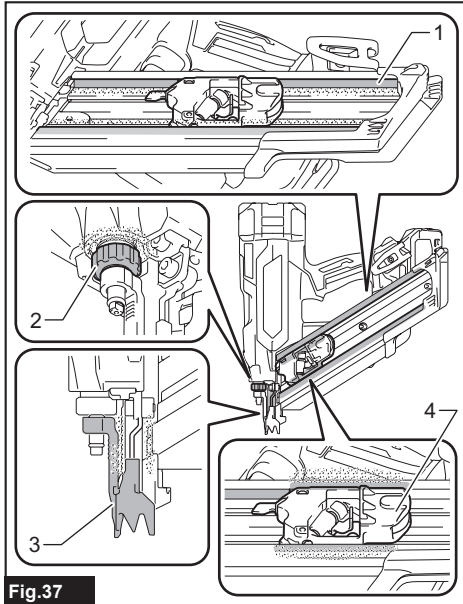


Fig. 37

- 1. Feeding rails 2. Depth adjuster 3. Contact element 4. Pusher

Initializing driver position

The driver may not be positioned correctly behind the fastener to be driven next after a fastener jamming or under low battery condition. Always perform initialization steps before you restart operation.

1. Remove the battery cartridge from the tool.
2. Take out all the fasteners left in the magazine.

3. Observe the driver position.

If you see the driver tip out of the driver guide, the contact element cannot correctly be actuated during initialization.

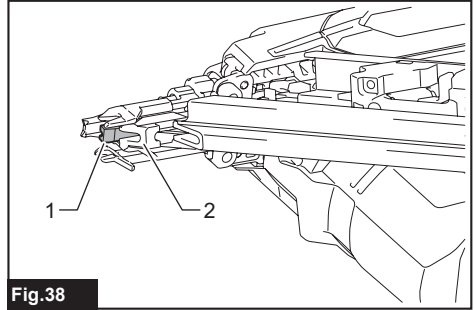


Fig. 38

- 1. Driver 2. Driver guide

Turn the depth adjuster to set the shallowest so that the contact element functions properly.

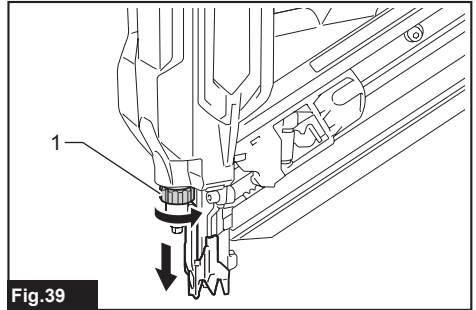


Fig. 39

- 1. Depth adjuster

4. Install the battery cartridge in place and turn the tool on.

5. Pull the pusher downward and hold it in place. Then place the contact element against the material that can be damaged.

6. Pull the switch trigger fully, with the contact element actuated, to reset the driver position.

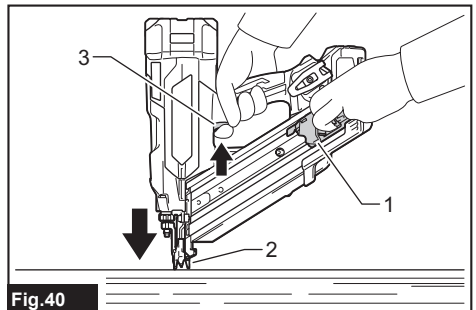


Fig. 40

- 1. Pusher 2. Contact element 3. Switch trigger

The driver position will be initialized correctly.

7. Remove the battery cartridge from the tool. Reload the fasteners in the magazine. Place the battery cartridge back into the tool.

OPTIONAL ACCESSORIES

⚠ CAUTION: These accessories or attachments are recommended for use with your Makita tool specified in this manual. The use of any other accessories or attachments might present a risk of injury to persons. Only use accessory or attachment for its stated purpose.

If you need any assistance for more details regarding these accessories, ask your local Makita Service Center.

- Nails
- Extended capacity magazines
- Fastener head lifting adapter
- Makita genuine battery and charger

NOTE: Some items in the list may be included in the tool package as standard accessories. They may differ from country to country.

MAKITA LIMITED WARRANTY

Please refer to the annexed warranty sheet for the most current warranty terms applicable to this product. If annexed warranty sheet is not available, refer to the warranty details set forth at below website for your respective country.

United States of America: www.makitatools.com

Canada: www.makita.ca

Other countries: www.makita.com

SPÉCIFICATIONS

Modèle :	BN001G	BN002G
Forme de la tête de clou	En D	Ronde
Longueur de clou	50 mm - 90 mm (2" - 3-1/2")	
Diamètre de la tige	ø2,9 mm - ø3,3 mm (ø0,113" - ø0,131")	ø2,9 mm - ø3,8 mm (ø0,113" - ø0,148")
Capacité du magasin	51 - 58 clous (1 bande + 11 - 18 clous)	36 - 41 clous (1 bande + 11 - 16 clous)
Angle de liaison des clous	30° - 34°	20° - 22°
Dimensions (L x P x H) ^{*1}	326 mm x 186 mm x 358 mm (12-7/8" x 7-3/8" x 14-1/8")	389 mm x 189 mm x 358 mm (15-3/8" x 7-1/2" x 14-1/8")
Tension nominale	C.C. 36 V - 40 V max.	
Poids net	5,3 - 6,5 kg (11,7 - 14,3 lbs)	5,4 - 6,6 kg (11,9 - 14,6 lbs)

^{*1} avec BL4025

NOTE : Les clous sont appelés « fixations » dans ce manuel d'instruction, à moins de spécifications contraires.

- Étant donné l'évolution constante de notre programme de recherche et développement, les spécifications contenues dans ce manuel sont sujettes à modification sans préavis.
- Les spécifications peuvent varier suivant les pays.
- La valeur du poids net comprend la combinaison la plus légère et la plus lourde du ou des accessoires et de la ou des batteries qui sont spécifiés dans le manuel d'instruction.

Batteries et chargeurs applicables

Batterie	BL4020* / BL4025* / BL4040* / BL4040F* / BL4050F / BL4080F * : Batterie recommandée
Chargeur	DC40RA / DC40RB / DC40RC / DC40WA

- Suivant la région où vous habitez, il se peut que certaines des batteries et certains des chargeurs énumérés ci-dessus ne soient pas disponibles.

⚠ MISE EN GARDE : Utilisez exclusivement les batteries et chargeurs énumérés ci-dessus. L'utilisation de toute autre batterie ou tout autre chargeur peut entraîner une blessure et/ou un incendie.

CONSIGNES DE SÉCURITÉ

Consignes de sécurité générales pour outils électriques

⚠ MISE EN GARDE Veuillez lire l'ensemble des consignes de sécurité, instructions, illustrations et spécifications fournies pour cet outil électrique. Il existe un risque de décharge électrique, d'incendie et/ou de blessures graves si toutes les instructions énumérées ci-dessous ne sont pas respectées.

Conservez toutes les mises en garde et instructions pour référence future.

Le terme « outil électrique » qui figure dans les avertissements fait référence à un outil électrique branché sur

une prise de courant (par un cordon d'alimentation) ou alimenté par batterie (sans fil).

Sécurité de la zone de travail

1. **Maintenez la zone de travail propre et bien éclairée.** Les zones de travail encombrées ou sombres ouvrent grande la porte aux accidents.
2. **N'utilisez pas les outils électriques dans les atmosphères explosives, par exemple en présence de liquides, gaz ou poussières inflammables.** Les outils électriques produisent des étincelles au contact desquelles la poussière ou les vapeurs peuvent s'enflammer.
3. **Assurez-vous qu'aucun enfant ou curieux ne s'approche pendant que vous utilisez un outil électrique.** Vous risquez de perdre la maîtrise de l'outil si votre attention est détournée.

Sécurité en matière d'électricité

1. **Les fiches d'outil électrique sont conçues pour s'adapter parfaitement aux prises de courant. Ne modifiez jamais la fiche de quelque façon que ce soit. N'utilisez aucun adaptateur de**

- fiche sur les outils électriques avec mise à la terre.** En ne modifiant pas les fiches et en les insérant dans des prises de courant pour lesquelles elles ont été conçues, vous réduirez les risques de choc électrique.
2. **Évitez tout contact corporel avec les surfaces mises à la terre, telles que tuyaux, radiateurs, cuisinières et réfrigérateurs.** Le risque de choc électrique est plus élevé si votre corps se trouve mis à la terre.
 3. **N'exposez pas les outils électriques à la pluie ou à l'eau.** La présence d'eau dans un outil électrique augmente le risque de choc électrique.
 4. **Ne maltraitez pas le cordon. N'utilisez jamais le cordon pour transporter, tirer ou débrancher l'outil électrique. Maintenez le cordon à l'écart des sources de chaleur, de l'huile, des objets à bords tranchants et des pièces en mouvement.** Le risque de choc électrique est plus élevé lorsque les cordons sont endommagés ou enchevêtrés.
 5. **Lorsque vous utilisez un outil électrique à l'extérieur, utilisez un cordon prolongateur conçu pour l'usage extérieur.** Le risque de choc électrique est moindre lorsqu'un cordon conçu pour l'usage extérieur est utilisé.
 6. **Si vous devez utiliser un outil électrique dans un endroit humide, utilisez une source d'alimentation protégée par un disjoncteur de fuite à la terre.** L'utilisation d'un disjoncteur de fuite à la terre réduit le risque de choc électrique.
 7. **Les outils électriques peuvent produire des champs électromagnétiques (CEM) qui ne sont pas préjudiciables à l'utilisateur.** Les utilisateurs de stimulateur cardiaque ou autres appareils médicaux similaires doivent toutefois demander conseil au fabricant et/ou à leur médecin avant d'utiliser cet outil électrique.
5. **Ne vous étirez pas exagérément. Assurez-vous d'une bonne prise au sol et d'un bon équilibre en tout temps.** Cela vous permettra d'avoir une meilleure maîtrise de l'outil électrique dans les situations imprévues.
 6. **Habilitez-vous convenablement. Ne portez pas de vêtement ample ou des bijoux. Maintenez vos cheveux et vos vêtements à l'écart des pièces mobiles.** Les vêtements amples, les bijoux et les cheveux longs peuvent rester pris dans les pièces mobiles.
 7. **Si des accessoires sont fournis pour raccorder un appareil d'aspiration et de collecte de la poussière, assurez-vous qu'ils sont correctement raccordés et qu'ils sont utilisés de manière adéquate.** L'utilisation d'un appareil de collecte permet de réduire les risques liés à la présence de poussière dans l'air.
 8. **Évitez d'être complaisant et d'ignorer les principes de sécurité de l'outil en raison de la familiarité acquise par un usage fréquent des outils.** Un geste imprudent peut entraîner une grave blessure en une fraction de seconde.
 9. **Portez toujours des lunettes à coques de protection pour protéger vos yeux contre les blessures lors de l'utilisation d'outils électriques. Les lunettes à coques doivent être conformes à ANSI Z87.1 aux États-Unis.** L'employeur a la responsabilité d'imposer l'utilisation d'équipements de protection de sécurité adéquats aux utilisateurs des outils électriques et à toute autre personne se trouvant dans la zone de travail immédiate.

Utilisation et entretien des outils électriques

Sécurité personnelle

1. **Restez alerte, attentif à vos mouvements et faites preuve de bon sens lorsque vous utilisez un outil électrique. N'utilisez pas les outils électriques si vous êtes fatigué ou avez pris une drogue, de l'alcool ou un médicament.** Un moment d'inattention pendant l'utilisation d'un outil électrique peut entraîner une grave blessure.
2. **Portez des dispositifs de protection personnelle. Portez toujours une protection oculaire.** Les risques de blessure seront moins élevés si vous utilisez des dispositifs de protection tels qu'un masque anti-poussière, des chaussures à semelle antidérapante, une coiffure résistante ou une protection d'oreilles.
3. **Évitez les démarrages accidentels. Assurez-vous que l'interrupteur est en position d'arrêt avant de brancher l'outil à la prise de courant et/ou au bloc-piles, et avant de prendre ou de transporter l'outil.** Vous ouvrez la porte aux accidents si vous transportez les outils électriques avec le doigt sur l'interrupteur ou si vous les branchez alors que l'interrupteur est en position de marche.
4. **Retirez toute clé de réglage ou de serrage avant de mettre l'outil électrique sous tension.** Toute clé laissée en place sur une pièce rotative de l'outil électrique peut entraîner une blessure.
1. **Ne forcez pas l'outil électrique. Utilisez l'outil électrique adéquat suivant le type de travail à effectuer.** Si vous utilisez l'outil électrique adéquat et respectez le régime pour lequel il a été conçu, il effectuera un travail de meilleure qualité et plus sécuritaire.
2. **N'utilisez pas l'outil électrique s'il n'est pas possible de l'allumer et de l'éteindre avec son interrupteur.** Un outil électrique dont l'interrupteur est défectueux représente un danger et doit être réparé.
3. **Avant d'effectuer tout réglage, de remplacer un accessoire ou de ranger l'outil électrique, débranchez la fiche de la source d'alimentation et/ou retirez la batterie de l'outil électrique si elle est amovible.** Ces mesures préventives de sécurité réduisent les risques de démarrage accidentel de l'outil électrique.
4. **Après l'utilisation d'un outil électrique, rangez-le hors de portée des enfants et ne laissez aucune personne l'utiliser si elle n'est pas familiarisée avec l'outil électrique ou les présentes instructions d'utilisation.** Les outils électriques représentent un danger entre les mains de personnes qui n'en connaissent pas le mode d'utilisation.
5. **Effectuez l'entretien des outils électriques et des accessoires. Assurez-vous que les pièces mobiles ne sont pas désalignées ou coincées, qu'aucune pièce n'est cassée et que l'outil électrique n'a subi aucun dommage affectant**

son bon fonctionnement. Le cas échéant, faites réparer l'outil électrique avant de l'utiliser. De nombreux accidents sont causés par des outils électriques mal entretenus.

- Maintenez les outils tranchants bien aiguisés et propres.** Un outil tranchant dont l'entretien est effectué correctement et dont les bords sont bien aiguisés risquera moins de se coincer et sera plus facile à maîtriser.
- Utilisez l'outil électrique, ses accessoires, ses embouts, etc., en respectant les présentes instructions, en tenant compte des conditions de travail et du type de travail à effectuer.** L'utilisation d'un outil électrique pour d'autres usages que ceux prévus peut entraîner une situation dangereuse.
- Gardez les poignées et surfaces de saisie sèches, propres et exemptes d'huile et de graisse.** Les poignées et surfaces de saisie glissantes ne permettent pas une manipulation sûre et une bonne maîtrise de l'outil dans les situations inattendues.
- Lors de l'utilisation de l'outil, ne portez pas de gants de travail en tissu qui risquent de s'enchevêtrer dans l'outil.** L'enchevêtrement de gants de travail en tissu dans les pièces en mouvement peut entraîner une blessure.

Utilisation et entretien des outils alimentés par batterie

- Pour recharger, utilisez uniquement le chargeur spécifié par le fabricant.** L'utilisation d'un chargeur conçu pour un type donné de bloc-piles comporte un risque d'incendie lorsqu'il est utilisé avec un autre type de bloc-piles.
- N'utilisez un outil électrique qu'avec le bloc-piles conçu spécifiquement pour cet outil.** Il y a risque de blessure ou d'incendie si un autre bloc-piles est utilisé.
- Lorsque vous n'utilisez pas le bloc-piles, rangez-le à l'écart des objets métalliques tels que trombones, pièces de monnaie, clés, clous, vis ou autres petits objets métalliques qui risqueraient d'établir une connexion entre les bornes.** La mise en court-circuit des bornes de batterie peut causer des brûlures ou un incendie.
- Dans des conditions d'utilisation inadéquates de la batterie, il peut y avoir fuite d'électrolyte; évitez tout contact avec ce liquide. En cas de contact accidentel, rincez avec beaucoup d'eau. Si le liquide pénètre dans vos yeux, il faut aussi consulter un médecin.** L'électrolyte qui s'échappe de la batterie peut causer des irritations ou des brûlures.
- N'utilisez pas une batterie ou un outil s'il est endommagé ou modifié.** Les batteries endommagées ou modifiées peuvent avoir un comportement imprévisible dont peut résulter un incendie, une explosion ou un risque de blessure.
- N'exposez pas une batterie ou un outil au feu ou à une température excessive.** L'exposition au feu ou à une température supérieure à 130 °C (265 °F) peut provoquer une explosion.
- Suivez toutes les instructions de charge et ne chargez pas la batterie ou l'outil à l'extérieur de la plage de température spécifiée dans les**

instructions. Charger de manière inadéquate ou à des températures hors de la plage spécifiée peut endommager la batterie et augmenter le risque d'incendie.

Réparation

- Faites réparer votre outil électrique par un réparateur qualifié qui utilise des pièces de rechange identiques aux pièces d'origine.** Le maintien de la sûreté de l'outil électrique sera ainsi assuré.
- N'essayez jamais de réparer les batteries endommagées.** La réparation des batteries ne doit être effectuée que par le fabricant ou par un fournisseur de service après-vente agréé.
- Suivez les instructions de lubrification et de remplacement des accessoires.**
- Ne modifiez pas ou n'essayez pas de réparer l'appareil ou la batterie autrement que tel qu'indiqué dans les instructions d'utilisation et d'entretien.**

Consignes de sécurité pour le cloueur sans fil

- Tenez toujours pour acquis que l'outil contient des fixations.** Une mauvaise manipulation du cloueur peut causer le déclenchement accidentel de fixations et entraîner une blessure.
- Ne pointez jamais l'outil vers vous-même ou toute personne se trouvant près de vous.** En cas de déclenchement accidentel, une fixation sera éjectée et risque de causer une blessure.
- N'activez pas l'outil avant qu'il ne soit fermement placé contre la pièce.** Si l'outil n'est pas en contact avec la pièce, la fixation risque de dévier de sa cible.
- Débranchez l'outil de sa source d'alimentation lorsqu'une fixation se coince dans l'outil.** Branché, le cloueur risquerait de se déclencher accidentellement pendant que vous essayez de la débloquer.
- Soyez prudent lorsque vous retirez une fixation coincée.** Le mécanisme peut être soumis à une forte pression et forcer l'éjection de la fixation pendant que vous essayez de la débloquer.
- N'utilisez pas ce cloueur pour fixer des câbles électriques.** Cet outil n'est pas conçu pour l'installation de câbles électriques; il pourrait endommager l'isolation des câbles, ce qui entraîne un risque de décharge électrique ou d'incendie.
- Portez toujours des lunettes à coques pour protéger vos yeux contre les blessures causées par les poussières ou les fixations.**
- Gardez les mains et les pieds hors de portée de la zone du port d'éjection.**
- Avant de charger des fixations, de procéder à un réglage, de faire une inspection, d'effectuer un entretien ou lorsque l'utilisation est terminée, retirez toujours la batterie.**
- Avant l'utilisation, assurez-vous que personne ne se trouve à proximité. Ne tentez jamais de poser des fixations de l'intérieur et de l'extérieur d'un mur simultanément.** Cela est très dangereux, puisque les fixations risquent alors de défoncer la pièce et/ou d'être projetées.




11. **Regardez où vous mettez les pieds et assurez-vous d'une prise équilibrée sur l'outil. Assurez-vous qu'il n'y a personne en bas lorsque vous travaillez dans des endroits élevés.**
12. **N'utilisez jamais les outils de pose de fixations qui portent le symbole « Ne pas utiliser dans les échafaudages et les échelles » pour des applications spécifiques telles que :**
 - lorsque le déplacement d'un emplacement de pose à un autre implique l'utilisation d'échafaudages, d'escaliers, d'échelles ou autres structures similaires aux échelles, p. ex. les lattes de toit;
 - pour fermer des boîtes ou des caisses;
 - pour poser des dispositifs de sécurité pour le transport, p. ex. sur des véhicules et wagons.
13. **Vérifiez soigneusement les murs, plafonds, planchers, toits et surfaces similaires pour éviter les risques de choc électrique, de fuite de gaz, d'explosion, etc., causés par l'agrafrage sur des fils exposés, des conduits ou des tuyaux de gaz.**
14. **Utilisez uniquement les fixations spécifiées dans ce manuel.** L'outil risque de mal fonctionner si vous utilisez tout autre type de fixation.
15. **Ne modifiez pas l'outil et ne tentez pas de l'utiliser pour autre chose que ses fixations.**
16. **N'utilisez pas l'outil sans fixations.** Cela réduit la durée de vie de l'outil.
17. **Cessez immédiatement le travail de pose si vous constatez une anomalie ou un fonctionnement inhabituel de l'outil.**
18. **Ne posez jamais de fixations dans des matériaux qu'elles risquent de percer et de traverser comme un projectile.**
19. **N'activez jamais en même temps la gâchette et l'élément de contact avant d'être prêt à fixer les pièces.** Laissez la pièce à travailler enfoncer l'élément de contact. N'empêchez jamais l'élément de contact de fonctionner en le fixant ou en l'enfonçant manuellement.
20. **Ne modifiez jamais l'élément de contact. Vérifiez régulièrement le bon fonctionnement de l'élément de contact.**
21. **Retirez toujours les fixations de l'outil lorsque vous ne l'utilisez pas.**
22. **Évitez de mettre des aimants ou un dispositif magnétique similaire trop proche de l'outil.** Cela peut avoir une incidence sur le capteur magnétique dans l'outil.

CONSERVEZ CES INSTRUCTIONS.

⚠ MISE EN GARDE : NE vous laissez PAS tromper (au fil d'une utilisation répétée) par un sentiment d'aisance ou de familiarité avec le produit en négligeant les consignes de sécurité qui accompagnent le produit. UNE UTILISATION INCORRECTE ou le non-respect des règles de sécurité énoncées dans le présent manuel d'instructions peut provoquer des blessures graves.

Symboles

Les symboles utilisés pour l'outil sont indiqués ci-dessous.

V	volts
— — —	courant continu
	Veuillez lire et comprendre les étiquettes et le manuel de l'outil. L'ignorance des mises en garde peut entraîner le décès ou une grave blessure.
	L'utilisateur et toute personne présente dans la zone de travail doivent porter des lunettes de sécurité avec protecteurs latéraux.
	Gardez les doigts à l'écart de la gâchette lorsque vous ne posez pas de fixations, pour éviter la libération accidentelle de fixations.

Consignes de sécurité importantes pour la batterie

1. **Avant d'utiliser la batterie, lisez toutes les instructions et les mises en garde apposées sur (1) le chargeur de batterie, (2) la batterie et (3) le produit utilisant la batterie.**
2. **Ne démontez pas et ne modifiez pas la batterie.** Cela peut entraîner un incendie, une chaleur excessive ou une explosion.
3. **Cessez immédiatement l'utilisation si le temps de fonctionnement devient excessivement court.** Il y a risque de surchauffe, de brûlures, voire d'explosion.
4. **Si l'électrolyte pénètre dans vos yeux, rincez-les à l'eau claire et consultez immédiatement un médecin.** Il y a risque de perte de la vue.
5. **Ne court-circuitez pas la batterie :**
 - (1) **Ne touchez les bornes avec aucun matériau conducteur.**
 - (2) **Évitez de ranger la batterie dans un conteneur avec d'autres objets métalliques tels que clous, pièces de monnaie, etc.**
 - (3) **Évitez d'exposer la batterie à l'eau ou à la pluie.**

Un court-circuit de la batterie pourrait provoquer un fort courant, une surchauffe, parfois des brûlures et même une panne.
6. **Ne rangez pas et n'utilisez pas l'outil ou la batterie dans des emplacements où la température peut atteindre ou dépasser 50 °C (122 °F).**
7. **Ne jetez pas la batterie au feu même si elle est sérieusement endommagée ou complètement épuisée.** La batterie peut exploser au contact du feu.
8. **Évitez de clouer, de couper, d'écraser, de lancer ou d'échapper la batterie, ou de heurter un objet dur contre la batterie.** Cela peut entraîner un incendie, une chaleur excessive ou une

explosion.

9. **N'utilisez pas une batterie si elle est endommagée.**
10. **Les batteries lithium-ion fournies sont soumises aux exigences de la législation sur les marchandises dangereuses.**
Des exigences particulières sur l'emballage et l'étiquetage doivent être respectées lors du transport commercial par des tiers, des transitaires, etc. Pour préparer la marchandise à expédier, consultez un expert en matériaux dangereux si nécessaire. Respectez aussi les éventuelles réglementations nationales plus détaillées.
Recouvrez de ruban isolant les contacts exposés, et emballez la batterie de sorte qu'elle ne puisse pas se déplacer à l'intérieur de l'emballage.
11. **Lors de l'élimination de la batterie, retirez-la de l'outil et éliminez-la dans un endroit sûr. Respectez la réglementation locale concernant l'élimination de la batterie.**
12. **N'utilisez les batteries qu'avec les produits spécifiés par Makita.** Installer les batteries sur des produits non conformes peut entraîner un incendie, une chaleur excessive, une explosion ou une fuite d'électrolyte.
13. **Si l'outil reste inutilisé pour une période prolongée, la batterie doit en être retirée.**
14. **Pendant et après l'utilisation, la batterie peut accumuler de la chaleur, ce qui peut causer des brûlures ou des brûlures à basse température. Faites attention lors de la manipulation des batteries chaudes.**
15. **Ne touchez pas la borne de l'outil immédiatement après l'utilisation, car elle peut être assez chaude pour causer des brûlures.**
16. **Ne laissez pas les copeaux, les poussières ou la terre se coincer dans les bornes, les trous et les rainures de la batterie.** Cela pourrait causer un réchauffement, un incendie, un éclatement et une défaillance de l'outil ou de la batterie et entraîner des brûlures ou des blessures corporelles.
17. **À moins que l'outil ne soit compatible avec l'utilisation à proximité des lignes électriques haute tension, n'utilisez pas la batterie à proximité d'une ligne électrique haute tension.** Cela peut entraîner un dysfonctionnement ou une panne de l'outil ou de la batterie.
18. **Gardez la batterie à l'écart des enfants.**

CONSERVEZ CES INSTRUCTIONS.

ATTENTION : Utilisez exclusivement les batteries fabriquées par Makita. Les batteries autres que celles fabriquées par Makita ou les batteries modifiées peuvent exploser et causer un incendie, une blessure ou des dommages. Cela annule aussi la garantie Makita de l'outil et du chargeur Makita.

AVIS : Makita ne peut être tenu responsable des accidents découlant de l'utilisation de batteries non authentiques à Makita ou de batteries qui ont été modifiées. Les batteries authentiques Makita ont été rigoureusement évaluées en ce qui concerne leur compatibilité avec les outils et chargeurs Makita, conformément à la législation applicable et aux normes de sécurité.

Conseils pour maintenir la durée de service maximale de la batterie

1. **Rechargez la batterie avant qu'elle ne soit complètement déchargée. Arrêtez toujours l'outil et rechargez la batterie quand vous remarquez que la puissance de l'outil diminue.**
2. **Ne rechargez jamais une batterie complètement chargée. La surcharge réduit la durée de service de la batterie.**
3. **Chargez la batterie à une température ambiante comprise entre 10 °C et 40 °C (50 °F et 104 °F). Si la batterie est chaude, laissez-la refroidir avant de la charger.**
4. **Lorsque vous n'utilisez pas la batterie, retirez-la de l'outil ou du chargeur.**
5. **Chargez la batterie si elle est restée inutilisée pendant une période prolongée (plus de six mois).**

DESCRIPTION DU FONCTIONNEMENT

ATTENTION : Assurez-vous toujours que l'outil est éteint et que sa batterie est retirée avant de l'ajuster ou de vérifier son fonctionnement.

Installation ou retrait de la batterie

ATTENTION : Éteignez toujours l'outil avant d'installer ou de retirer la batterie.

ATTENTION : Tenez fermement l'outil et la batterie lors de l'installation ou du retrait de cette dernière. Si l'outil et la batterie ne sont pas tenus fermement, ils risquent de vous glisser des mains et de subir des dommages, ou encore de vous blesser.

Pour installer la batterie, alignez sa languette sur la rainure pratiquée dans le boîtier et glissez la batterie en place. Insérez-la à fond jusqu'à ce que vous entendiez un léger déclic. Si vous pouvez voir l'indicateur rouge tel qu'illustré sur la figure, cela signifie qu'elle n'est pas complètement verrouillée.

Pour retirer la batterie, faites-la glisser hors de l'outil tout en glissant le bouton qui se trouve à l'avant.

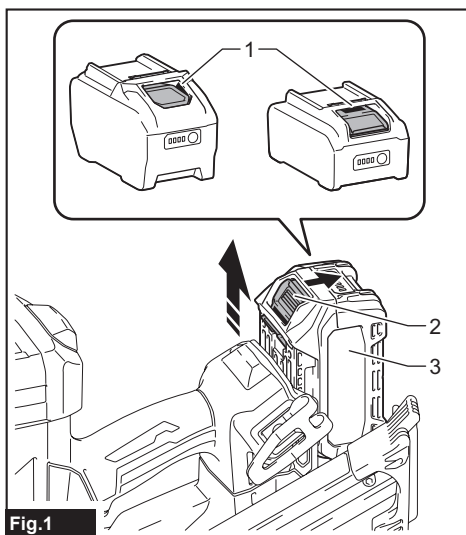


Fig.1

► 1. Indicateur rouge 2. Bouton 3. Batterie

ATTENTION : Installez toujours la batterie à fond jusqu'à ce que vous ne puissiez plus voir l'indicateur rouge. Autrement elle risque de tomber accidentellement de l'outil et d'entraîner des blessures.

ATTENTION : Ne forcez pas sur la batterie pour l'installer. Si la batterie ne glisse pas facilement, c'est qu'elle n'est pas insérée correctement.

Affichage de la charge restante de la batterie

Appuyez sur le bouton de vérification de la batterie pour afficher la charge restante de la batterie. Les témoins indicateurs s'allument pendant quelques secondes.

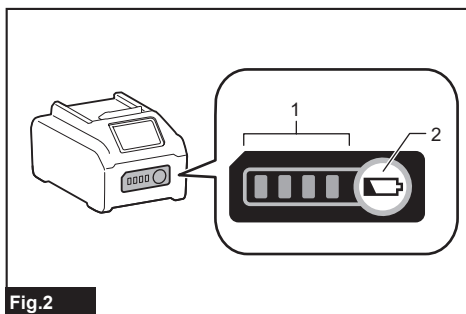


Fig.2

► 1. Témoins indicateurs 2. Bouton de vérification

Témoins indicateurs			Charge restante
Allumé	Éteint	Clignotant	
■	■	■	75 % à 100 %
■	■	□	50 % à 75 %
■	□	□	25 % à 50 %
■	□	□	0 % à 25 %
▬	□	□	Chargez la batterie.
■	■	□	La batterie a peut-être mal fonctionné.
□	□	■	

NOTE : Suivant les conditions d'utilisation et la température ambiante, il se peut que l'indication soit légèrement différente de la charge réelle.

NOTE : La première lampe témoin (à l'extrémité gauche) clignote lorsque le dispositif de protection de la batterie s'active.

Dispositif de protection de l'outil et de la batterie

L'outil est doté d'un dispositif de protection de l'outil et de la batterie. Ce dispositif coupe automatiquement l'alimentation du moteur pour augmenter la durée de service de l'outil et de la batterie. L'outil s'arrête automatiquement pendant l'utilisation lorsque l'outil ou la batterie est dans l'une des situations suivantes. Dans certaines situations, les voyants s'allument.

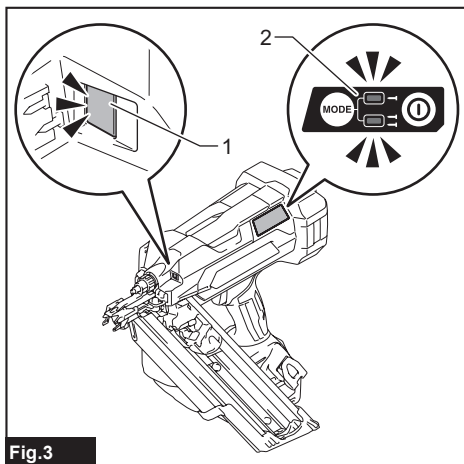






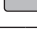



Fig.3

► 1. Lampe 2. Indicateur d'alimentation/mode

NOTE : Le design de l'interrupteur varie selon la région où vous demeurez.

Indication d'état de protection

Lampe		Indicateur d'alimentation/mode		État
				
Allumé	Clignotant	Allumé	Clignotant	
				Surcharge
				Surchauffe

Protection contre la surcharge

Lorsque l'outil ou la batterie est utilisé d'une façon qui lui fait consommer un courant anormalement élevé, l'outil s'arrête automatiquement. Le cas échéant, éteignez l'outil et cessez l'application qui a causé la surcharge de l'outil. Rallumez ensuite l'outil pour redémarrer.

Protection contre la surchauffe

Lorsque l'outil ou la batterie surchauffe, l'outil s'arrête automatiquement. Le cas échéant, laissez refroidir l'outil avant de le rallumer.

Protection contre la décharge excessive

Lorsque la charge de la batterie est basse, l'outil s'arrête automatiquement. Si l'appareil ne fonctionne pas même lorsque vous activez les interrupteurs, retirez la/les batterie(s) de l'outil et rechargez-la/les.

Protections contre d'autres causes

Le dispositif de protection est aussi conçu pour d'autres causes qui pourraient endommager l'outil et permet d'arrêter automatiquement l'outil. Prenez toutes les mesures suivantes pour éliminer les causes lorsque le fonctionnement de l'outil a été interrompu temporairement ou arrêté.

1. Assurez-vous que tous les interrupteurs sont en position d'arrêt, puis réactivez l'outil pour le redémarrer.
2. Chargez la/les batterie(s) ou remplacez-la/les par une/des batteries rechargée(s).
3. Laissez l'outil et la/les batteries se refroidir.

Si la situation ne s'améliore pas en restaurant le système de protection, contactez votre centre de service Makita local.

Fonctionnement de l'interrupteur d'alimentation

ATTENTION : Avant d'insérer la batterie dans l'outil, vérifiez toujours que la gâchette fonctionne bien et revient en position d'arrêt lorsque libérée.

Pour allumer l'outil, appuyez sur le bouton d'alimentation principale et maintenez-le enfoncé jusqu'à ce que le voyant d'alimentation s'allume.

Pour éteindre l'outil, maintenez le bouton d'alimentation principale enfoncé jusqu'à ce que le voyant

d'alimentation principale s'éteigne.

NOTE : Le design de l'interrupteur varie selon la région où vous demeurez.

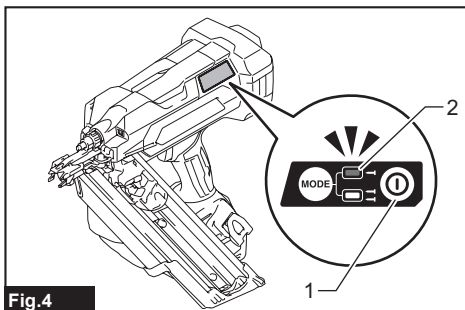


Fig.4

- 1. Bouton d'alimentation principale 2. Voyant d'alimentation

NOTE : L'outil ne peut être activé pendant que la gâchette ou l'élément de contact est actionné. Assurez-vous de relâcher la gâchette et l'élément de contact avant d'activer l'outil.

NOTE : Il n'est pas possible d'éteindre l'outil pendant que des fixations sont en train d'être posées.

NOTE : L'interrupteur d'alimentation principale s'éteint automatiquement si l'outil n'est pas utilisé pendant une période prolongée.

Sélection du mode de commande

Spécifique au pays

NOTE : Uniquement le mode de pose simple (commande séquentielle complète) est offert dans certaines régions et certains pays. Le design de l'interrupteur varie selon la région où vous demeurez.

L'outil emploie un déclenchement par commande sélective. Appuyez et tenez brièvement le bouton d'interrupteur de mode de commande pour sélectionner le mode de commande souhaité.

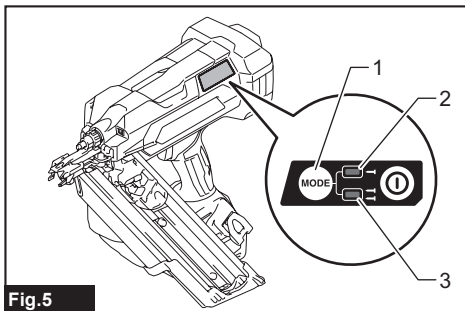


Fig.5

- 1. Bouton d'interrupteur de mode de commande
2. Mode de commande séquentielle 3. Mode de commande par contact

Interrupteur de mode	Mode de commande	Fonction
	Commande séquentielle complète	Posez une fixation en une opération séquentielle. Adéquat pour poser une fixation délicatement et précisément, et utile lorsque vous avez besoin d'un positionnement précis de la fixation.
	Commande par contact	Une pose simple ou continue est disponible. Privilégié lorsque vous avez besoin d'un positionnement très productif des fixations.

: Non disponible dans certaines régions et certains pays.

NOTE : Le mode de commande ne peut être changé pour un autre pendant que la gâchette ou l'élément de contact est actionné.

Réglage de la profondeur de pose

MISE EN GARDE : Avant de régler la profondeur de pose, assurez-vous toujours de ne pas avoir les doigts sur la gâchette ou sur l'élément de contact, et que la batterie est retirée.

Faites tourner le régleur de profondeur pour régler la profondeur de pose. La profondeur de pose augmente lorsque vous tournez le régleur de profondeur dans le sens A, et elle diminue lorsque vous tournez dans le sens B, comme l'indique la figure. L'intervalle de réglage de la profondeur de pose est de 8,5 mm (11/32").

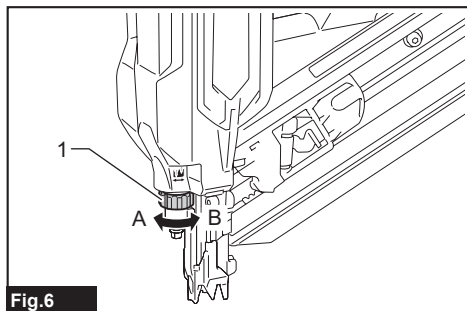


Fig.6

► 1. Régleur de profondeur

AVIS : Ne tournez pas excessivement le régleur de profondeur, pour éviter qu'il se bloque.

Ajustez la profondeur de pose au besoin.

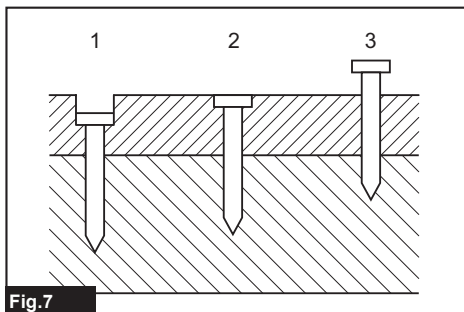


Fig.7

► 1. Trop profond 2. Au niveau de la surface 3. Pas assez profond

Allumer la lampe

ATTENTION : Évitez de regarder directement le faisceau lumineux ou sa source.

Appuyez sur la gâchette ou activez l'élément de contact pour allumer la lampe. La lampe reste allumée tant que vous appuyez sur la gâchette ou activez l'élément de contact. La lampe s'éteint au bout de quelques secondes après la libération de la gâchette et de l'élément de contact.

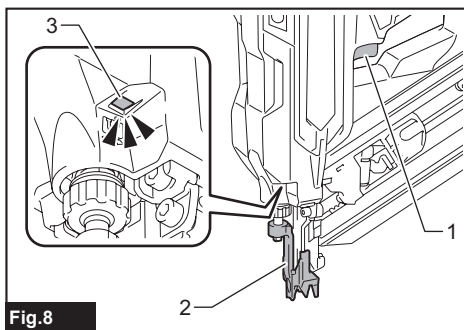


Fig.8

► 1. Gâchette 2. Élément de contact 3. Lampe

AVIS : Utilisez un linge sec pour enlever les poussières sur la lentille de la lampe. Prenez garde de rayer la lentille de la lampe, car cela peut affecter son intensité d'éclairage.

AVIS : Lorsque l'outil surchauffe, la lampe cli-gnote. Le cas échéant, libérez la gâchette et l'élément de contact, puis laissez refroidir l'outil et la batterie avant de reprendre l'utilisation.

NOTE : Il est possible que l'outil n'effectue pas l'éjection une fois que la batterie est faible, même si la lampe reste allumée. Le cas échéant, rechargez la batterie.

ASSEMBLAGE

⚠ ATTENTION : Assurez-vous toujours que l'outil est éteint et que sa batterie est retirée avant d'effectuer tout travail dessus.

Charge/décharge des fixations

⚠ ATTENTION : Vérifiez toujours que la batterie est retirée avant de charger les fixations. Un déclenchement involontaire pourrait causer des blessures et des dommages matériels.

⚠ ATTENTION : Chargez les fixations dans le bon sens. Le chargement dans le mauvais sens peut causer l'usure prématurée du dispositif d'entraînement et endommager les autres pièces.

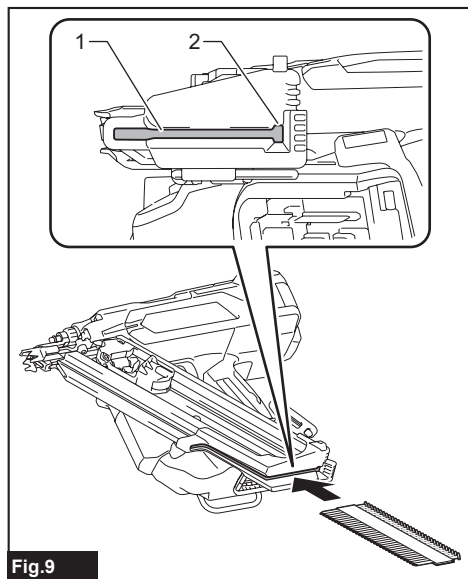
⚠ ATTENTION : Prenez soin de ne pas coincer vos doigts dans le magasin. Le poussoir tend à se détendre à sa position d'origine lorsque le poussoir est déverrouillé.

⚠ ATTENTION : Ne faites pas glisser brusquement le poussoir sur les fixations sont chargées dans le magasin. La chute accidentelle de fixations, notamment lorsque vous travaillez dans des emplacements élevés, peut causer des blessures.

AVIS : Faites glisser lentement le poussoir le long du magasin. Un contact forcé entre le poussoir et la bande de fixations peut endommager les fixations.

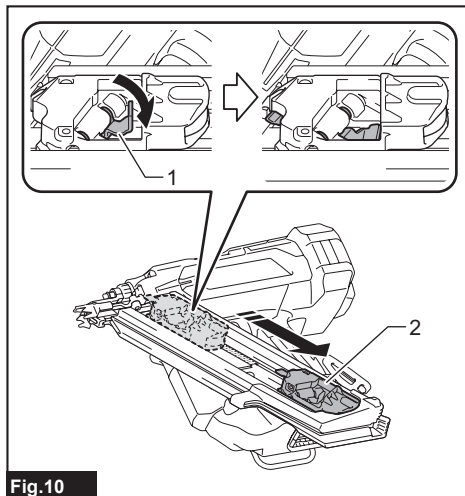
1. Retirez la batterie.
2. Insérez une bande de fixations dans la fente du magasin.

Assurez-vous d'aligner les contours des têtes de fixation avec ceux de la fente.



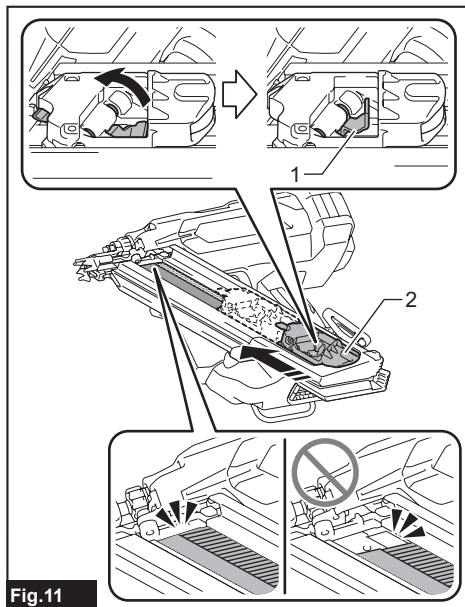
► 1. Fente 2. Contour de tête de fixation

3. Pincez le levier-poussoir pour soulever la plaque de poussoir au-dessus de la bande de fixations chargée. Puis, tirez le poussoir vers la fente.



► 1. Levier-poussoir 2. Poussoir

4. Libérez le levier-poussoir et faites glisser le poussoir vers l'arrière en libérant la tension de ressort de façon sécuritaire.



► 1. Levier-poussoir 2. Poussoir

AVIS : Assurez-vous que la bande de fixations est correctement alignée dans le magasin et fixée avec le poussoir. Si ce n'est pas le cas, essayez de recharger.

AVIS : N'utilisez pas de fixations et de bandes de fixations déformées. Utilisez les fixations spécifiées dans ce manuel. L'utilisation de fixations autres que celles spécifiées peut causer un blocage des fixations et un dysfonctionnement.

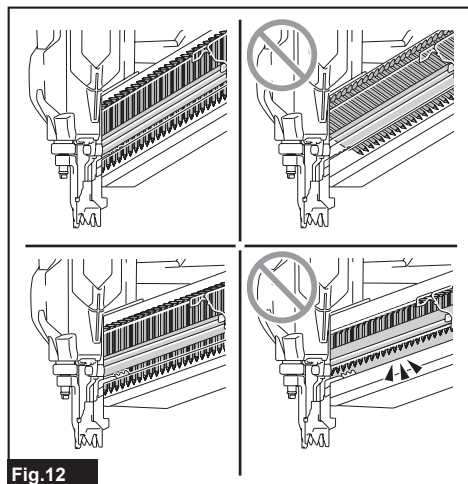


Fig.12

Pour retirer les fixations, effectuez la procédure d'installation en sens inverse.

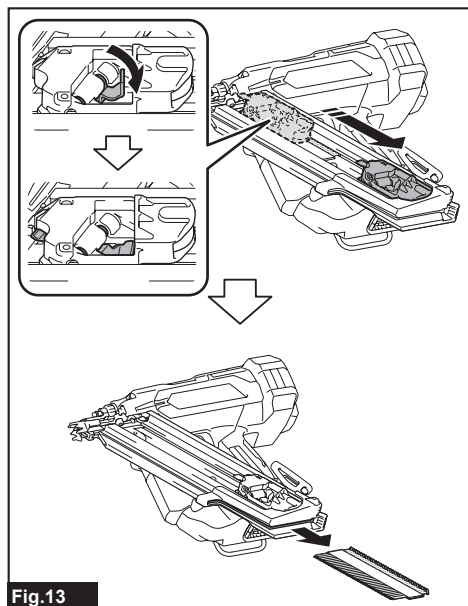


Fig.13

Pose d'un magasin de grande capacité

Accessoire en option

ATTENTION : Assurez-vous toujours de décharger toutes les fixations restées dans le magasin et de retirer la batterie de l'outil avant d'installer un magasin de grande capacité.

Utilisez un magasin accessoire de grande capacité pour que l'outil puisse transporter plus de fixations.

1. Desserrez et retirez les boulons qui fixent le magasin en utilisant la clé hexagonale.

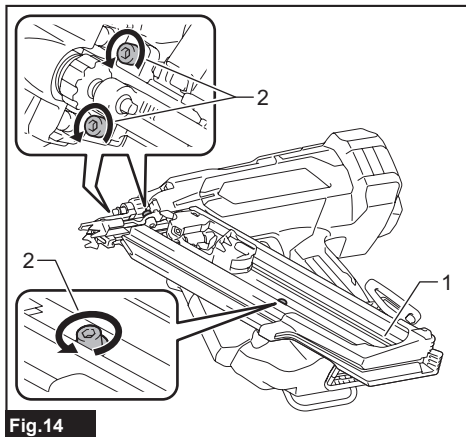


Fig.14

► 1. Magasin 2. Boulons

2. Levez légèrement l'extrémité libre du magasin standard fourni et tirez-le directement vers l'extérieur.

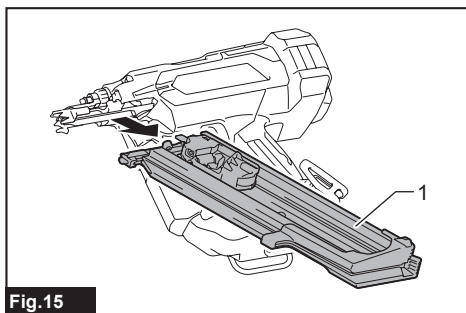


Fig.15

► 1. Magasin standard fourni

3. Insérez en angle la plaque de verrouillage du magasin de grande capacité dans la rainure de verrouillage du guide d'entraînement. Alignez les trous de boulon dans le magasin avec ceux dans le guide d'entraînement. Puis, serrez les boulons peu à peu en utilisant la clé hexagonale.

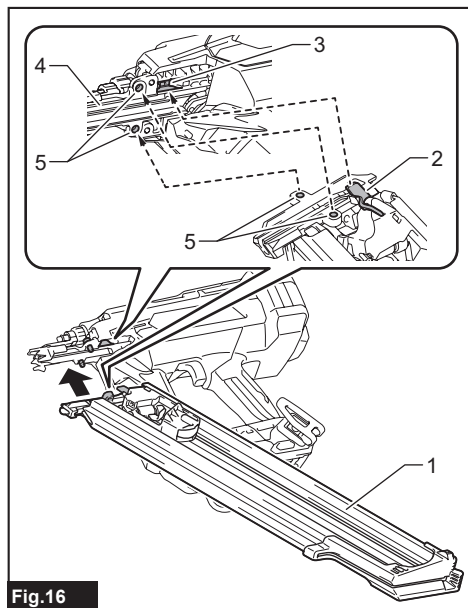


Fig.16

- 1. Magasin de grande capacité 2. Plaque de verrouillage 3. Rainure de verrouillage 4. Guide d'entraînement 5. Trous de boulon
4. Serrez le magasin de grande capacité sur le corps de l'outil avec le boulon.
 5. Resserrez tous les boulons pour fixer le magasin de grande capacité.

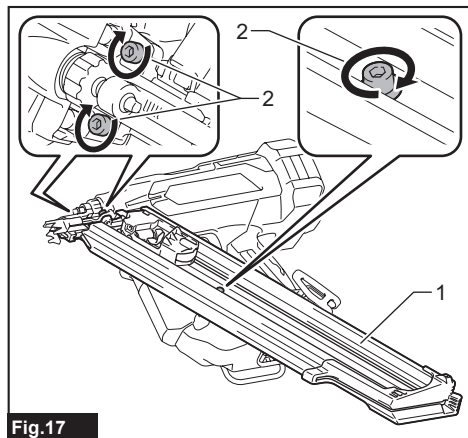


Fig.17

- 1. Magasin de grande capacité 2. Boulons

Adaptateur de bec

ATTENTION : Assurez-vous toujours que vos doigts ne se trouvent pas sur la gâchette ou l'élément de contact, retirez toutes les fixations restantes dans le magasin, et retirez la batterie avant de fixer ou de détacher l'adaptateur de bec.

Lors de la pose de fixations sur un matériau dont les surfaces se marquent facilement, fixez l'adaptateur de bec sur l'élément de contact.

NOTE : Si vous voulez fixer le coffrage en soulevant la tête de fixation de la surface du coffrage, vous pouvez aisément déporter latéralement la tête de fixation en utilisant l'adaptateur de levage de tête de fixation (accessoire en option).

Pose de l'adaptateur de bec

1. Placez l'adaptateur de bec sans le serrer sur l'élément de contact.
2. Relâchez la gâchette.
3. Placez l'élément de contact à plat sur le matériau qui peut être endommagé.
4. Poussez l'élément de contact à travers jusqu'à ce que l'adaptateur de bec s'ajuste solidement sur l'élément de contact.

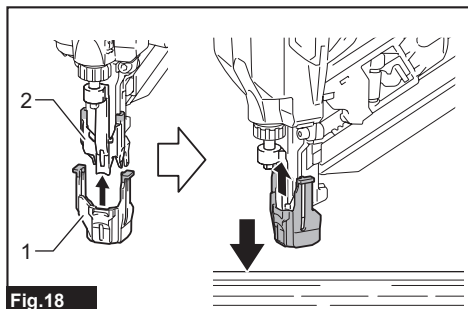


Fig.18

- 1. Adaptateur de bec 2. Élément de contact

NOTE : Assurez-vous que les extrémités de bras à crochet de l'adaptateur de bec s'engagent complètement avec l'élément de contact.

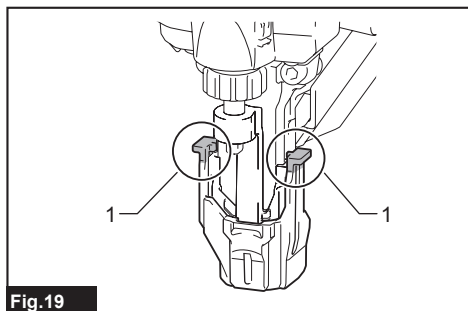


Fig.19

- 1. Extrémités de bras à crochet

Retrait de l'adaptateur de bec

1. Retournez l'outil sur lui-même.
2. Désengagez les bras de l'adaptateur de bec de l'élément de contact et faites glisser l'adaptateur de bec hors de l'assemblage.

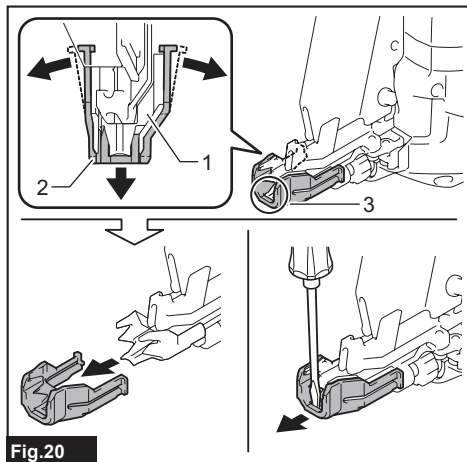


Fig.20

- 1. Élément de contact 2. Adaptateur de bec
3. Dégagement

NOTE : Utilisez un tournevis pour écrous à fente pour disjoindre les pièces si vous trouvez qu'il est difficile de détacher l'adaptateur de bec.

Crochet

⚠ MISE EN GARDE : Prenez soin de ne pas surcharger le crochet avec trop de force. Sinon, une surcharge irrégulière pourrait causer des dommages à l'outil entraînant des blessures corporelles.

⚠ ATTENTION : N'accrochez pas le crochet à un ceinturon. Si vous laissez tomber l'outil, ce qui peut se produire si le crochet se déplace accidentellement, cela pourrait causer un déclenchement involontaire provoquant des blessures.

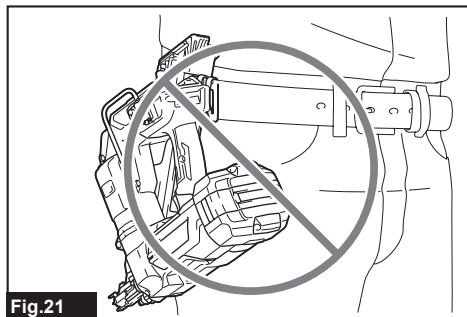


Fig.21

⚠ ATTENTION : Lorsque vous installez le crochet, fixez-le toujours fermement avec la vis. Autrement, le crochet risque de se détacher de l'outil et de causer une blessure.

⚠ ATTENTION : Utilisez les pièces de suspension/montage pour les fins pour lesquelles elles sont prévues uniquement. Une utilisation pour un usage non prévu peut causer un accident ou des blessures corporelles.

⚠ ATTENTION : Assurez-vous de suspendre l'outil solidement avant de le relâcher. Un accrochage insuffisant ou non équilibré peut causer une chute et vous pourriez être blessé.

Il existe deux types de crochets à outil disponibles selon vos besoins. Utilisez un crochet en forme d'attache ou un crochet en C pour suspendre l'outil sur un support à outils, un rail ou le mur.

Crochet en forme d'attache

Installez le crochet en forme d'attache dans une rainure du boîtier de l'outil, puis fixez-le avec un boulon hexagonal.

Pour retirer le crochet en forme d'attache, desserrez le boulon, puis enlevez le crochet.

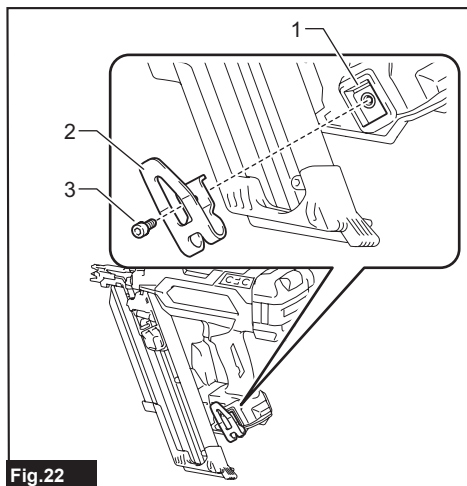


Fig.22

- 1. Rainure 2. Crochet en forme d'attache 3. Boulon hexagonal

Crochet en C

En alignant les deux ensembles de trous de boulon, placez le crochet en C sur le boîtier de l'outil avec l'ouverture du crochet en C orientée vers le haut. Serrez le crochet en C avec les deux boulons hexagonaux. Pour retirer le crochet en C, desserrez les boutons, puis enlevez le crochet.

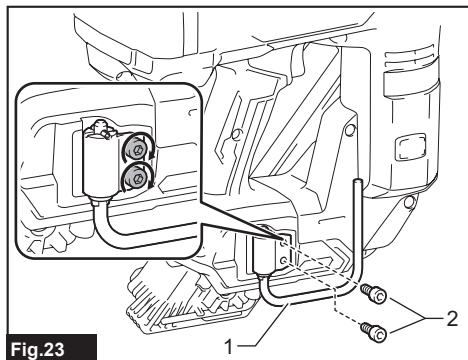


Fig.23

► 1. Crochet en C 2. Boulons hexagonaux

Le crochet en C peut être positionné en position ouverte à des intervalles de 90 degrés.

Poussez et tenez le crochet vers le haut et faites-le basculer à la position de votre choix.

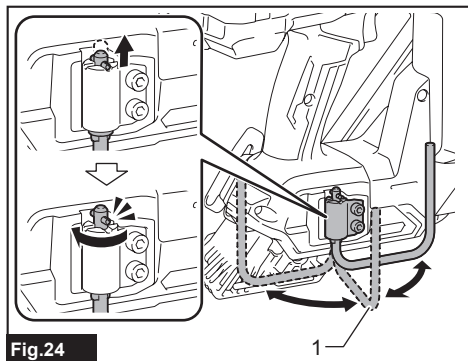


Fig.24

► 1. Crochet en C

Rangement de la clé hexagonale

Lorsque vous n'utilisez pas la clé hexagonale, rangez-la de la façon indiquée sur la figure pour éviter de l'égarer.

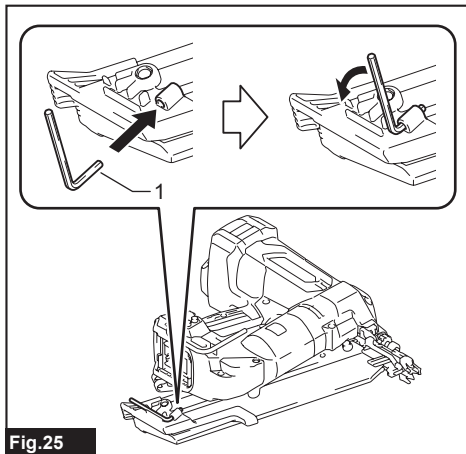


Fig.25

► 1. Clé hexagonale

UTILISATION

Vérification du dispositif de sécurité

⚠ MISE EN GARDE : Avant l'utilisation, assurez-vous que tous les dispositifs de sécurité fonctionnent correctement. Autrement il y a risque de blessures.

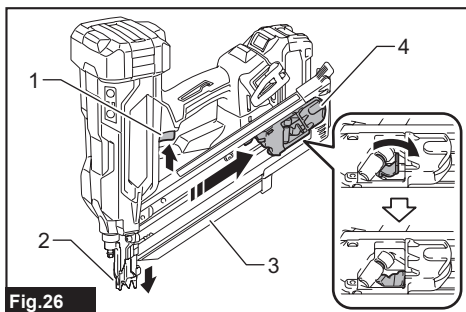


Fig.26

► 1. Gâchette 2. Élément de contact 3. Magasin
4. Poussoir

Avant l'utilisation, procédez comme suit pour vérifier la présence de toute défaillance ou de tout dysfonctionnement du dispositif de sécurité.

1. Retirez la batterie de l'outil. Puis, déchargez toutes les fixations laissées dans le magasin.
2. Posez la batterie et mettez l'outil marche.
3. Appuyez sur la gâchette sans placer l'élément de contact contre le matériau.

4. Poussez le poussoir vers le bas et maintenez-le en place. Puis, placez l'élément de contact contre le matériau, sans appuyer sur la gâchette.

Si l'outil fonctionne à l'étape 3 ou 4 décrite ci-dessus, le système de sécurité ne fonctionne pas correctement. Cessez immédiatement d'utiliser l'outil, et demandez conseil à votre centre de service après-vente local Makita.

Manipulation des fixations

Clous

Manipulez soigneusement les clous et leur boîte. Des clous manipulés brutalement peuvent se déformer ou leur bande se casser, ce qui causera une mauvaise alimentation en clous.

AVIS : Évitez de ranger les clous dans un emplacement très humide, très chaud ou exposé aux rayons directs du soleil.

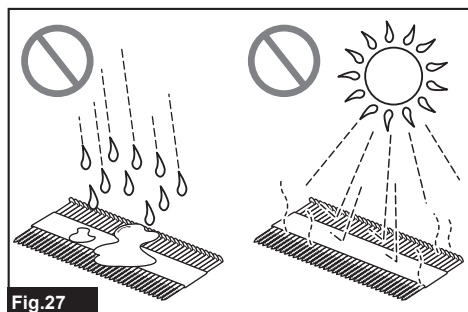


Fig.27

Pose de fixations

⚠ MISE EN GARDE : Maintenez votre visage éloigné de l'outil lorsque vous l'utilisez. Autrement, il existe un risque de blessure.

⚠ MISE EN GARDE : N'utilisez pas cet outil pour fixer des câbles électriques. Cet outil n'est pas conçu pour l'installation de câbles électriques; il pourrait endommager l'isolation des câbles, ce qui entraîne un risque de décharge électrique ou d'incendie.

⚠ MISE EN GARDE : Maintenez fermement l'élément de contact contre le matériau jusqu'à ce que le clou soit complètement enfoncé. Un déclenchement involontaire pourrait causer des blessures.

⚠ ATTENTION : Tenez l'outil fermement pendant l'utilisation.

⚠ ATTENTION : Ne posez pas de fixations sur des matériaux durs, comme du métal ou des matériaux similaires. Si la fixation n'arrive pas à pénétrer le matériau, l'outil peut reculer vers vous et vous blesser.

AVIS : L'outil ne lancera la pose après cinq secondes sans activation de l'interrupteur pendant que la gâchette ou l'élément de contact est actionné seul. Relâchez la gâchette ou libérez l'élément de contact en le tirant de la pièce à travailler et repositionnez l'outil pour redémarrer la pose.

NOTE : Si vous posez des clous en continu pendant longtemps, l'air évacué devient chaud en raison de la chaleur du moteur.

L'outil emploie deux actions d'entraînement; la commande séquentielle complète et la commande par contact.

NOTE : Uniquement le mode de pose simple (commande séquentielle complète) est offert dans certaines régions et certains pays. Le design de l'interrupteur varie selon la région où vous demeurez.

Commande séquentielle complète

Dans ce mode, vous pouvez poser une fixation par une séquence simple d'opérations.

Un contact avec la pièce à travailler doit être établi, puis une gâchette doit être activée dans une séquence spécifique pour actionner l'outil. Libérez les commandes d'interrupteur puis réactivez-les selon la même séquence pour continuer à poser les fixations.

1. Maintenez le bouton d'alimentation principale enfoncé pour allumer l'outil.
2. Assurez-vous que le témoin de mode de commande séquentiel s'allume.

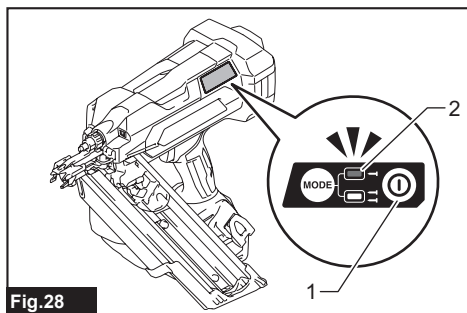


Fig.28

- ▶ 1. Bouton d'alimentation principale 2. Témoin de mode de commande séquentielle

- Placez à plat l'élément de contact sur le matériau.

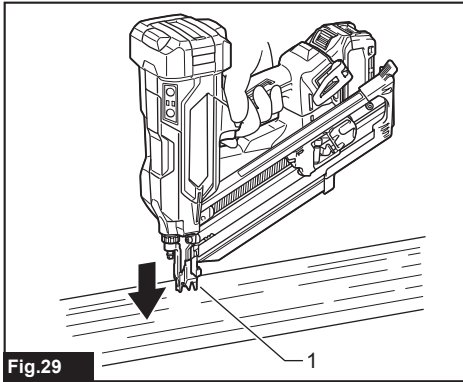


Fig.29

- Élément de contact

- Enfoncez complètement la gâchette pour poser une fixation.

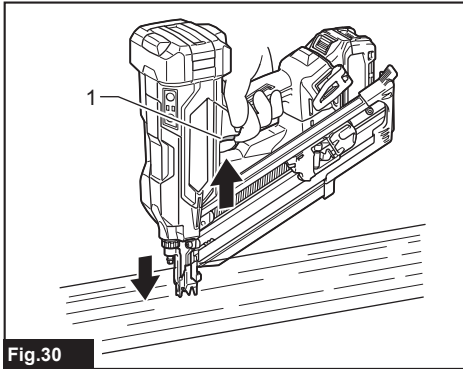


Fig.30

- Gâchette

- Retirez votre doigt de la gâchette. Puis, soulevez l'élément de contact du matériau.

Pour poser la fixation suivante, répétez les étapes 3 à 5 dans le même ordre.

Commande par contact

Spécifique au pays

Dans ce mode, vous pouvez choisir la pose continue ou simple en suivant n'importe quelle séquence de fonctionnement de la gâchette.

Un contact avec la pièce à travailler, puis une gâchette peut être activée dans n'importe quelle séquence pour actionner l'outil. Relâchez et reprenez le contact avec la façon continue.

Pour une pose simple

- Maintenez le bouton d'alimentation principale enfoncé pour allumer l'outil.

- Appuyez et tenez brièvement le bouton d'interrupteur de mode de commande pour sélectionner le mode de commande par contact.

Le témoin de mode de commande par contact s'allume.

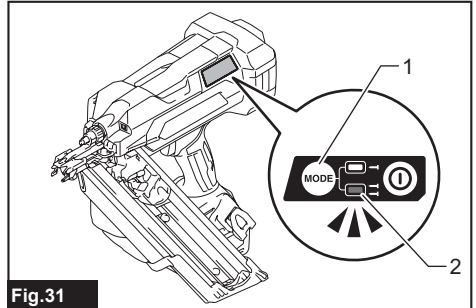


Fig.31

- Bouton d'interrupteur de mode de commande
- Témoin de mode de commande par contact

- Placez à plat l'élément de contact sur le matériau.

- Enfoncez complètement la gâchette pour poser une fixation.

- Retirez votre doigt de la gâchette. Puis, soulevez l'élément de contact du matériau.

Pour poser la fixation suivante, répétez les étapes 3 à 5 dans le même ordre.

Pour une pose continue

- Maintenez le bouton d'alimentation principale enfoncé pour allumer l'outil.
- Appuyez et tenez brièvement le bouton d'interrupteur de mode de commande pour sélectionner le mode de commande par contact.

Le témoin de mode de commande par contact s'allume.

- Appuyez sur la gâchette.

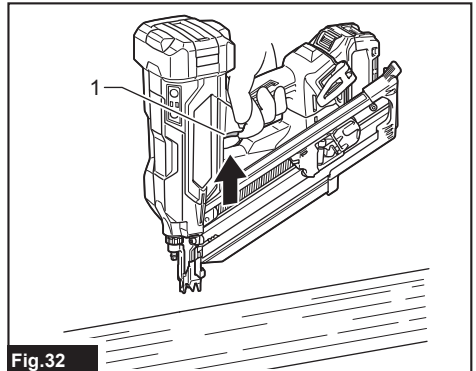


Fig.32

- Gâchette

- Placez à plat l'élément de contact sur le matériau pour poser une fixation.

5. Déplacez l'outil sur les zones suivantes avec la gâchette enfoncée et placez l'élément de contact à plat sur le matériau pour poser les fixations suivantes.

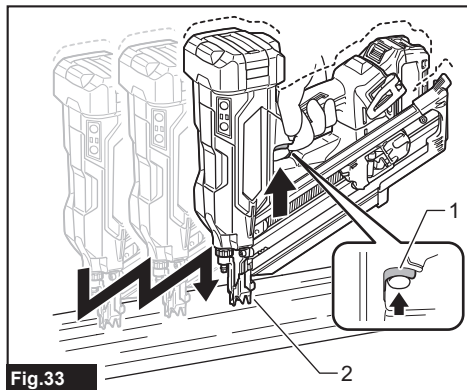


Fig.33

- 1. Gâchette 2. Élément de contact

Mécanisme de prévention du déclenchement à vide

Lorsque les fixations restantes dans le magasin diminuent à 7 - 9 pièces pour le modèle BN001G / 6 - 7 pièces pour le modèle BN002G, l'interrupteur ne peut plus être actionné et l'outil cesse l'éjection des fixations. Insérez une nouvelle bande de fixations dans le magasin avant de redémarrer l'opération.

Retrait des fixations coincées

⚠ MISE EN GARDE : Assurez-vous toujours que la batterie et les fixations sont retirées avant de retirer les fixations coincées.

⚠ MISE EN GARDE : Ne poussez pas le dispositif d'entraînement de fixations de façon forcée. Ne frappez pas le dispositif d'entraînement de fixations et les fixations avec aucun outil manuel pour retirer les blocages. N'oubliez pas que l'outil est chargé avec de l'air comprimé et que la pression est maintenue à l'intérieur. La non-observation des précautions de sécurité dans le manuel peut entraîner des blessures graves.

⚠ MISE EN GARDE : Lorsque vous retirez un blocage, ne pointez jamais l'outil vers vous-même ou d'autres personnes à proximité. Dans le cas contraire, il existe un risque de blessures en raison d'un raté de déclenchement, car l'outil est chargé d'air comprimé dans une chambre scellée en usine.

⚠ ATTENTION : Ne retirez pas les fixations coincées à mains nues. La fixation risquerait de sauter hors du magasin et de causer une blessure.

⚠ ATTENTION : Pour résoudre les blocages fréquents ou les situations de blocage difficiles à résoudre, consultez votre centre de service après-vente local Makita.

Lorsqu'un blocage de fixations se produit, observez de près l'unité d'alimentation et d'entraînement de fixation. Les blocages ont tendance à être causés par des fixations bloquées entre le dispositif d'entraînement et le guide d'entraînement.

1. Retirez la batterie de l'outil.
2. Déchargez toutes les fixations restant dans le magasin.
3. Éliminez un blocage en utilisant une pince ou un objet similaire.

NOTE : Démontez le magasin de l'outil si un blocage se produit à l'intérieur de l'unité d'alimentation et d'entraînement de fixation.

4. Desserrez et retirez les boulons qui fixent le magasin en utilisant la clé hexagonale. Puis, levez légèrement l'extrémité libre du magasin et tirez-le directement vers l'extérieur.

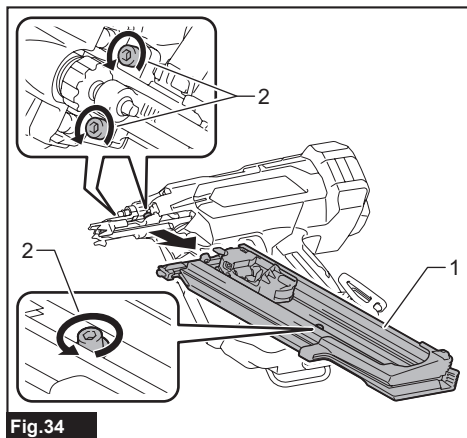


Fig.34

- 1. Magasin 2. Boulons

5. Retirez les fixations bloquées dans l'ouverture de sortie de fixation ou par le guide d'entraînement.

Utilisez une pince pour plier la fixation bloquée, de sorte que la tête de fixation sorte par la fente du guide d'entraînement. Retirez ensuite la fixation bloquée.

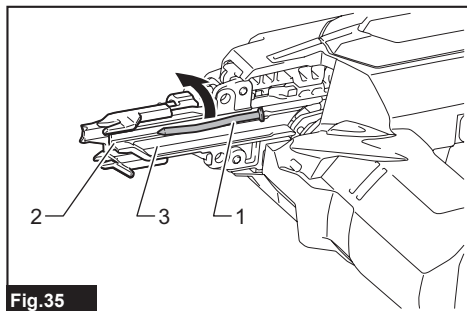


Fig.35

- 1. Fixation bloquée 2. Ouverture de sortie de fixation 3. Guide d'entraînement

Un blocage peut se produire au niveau de la fente d'alimentation de fixation du magasin. Utilisez une pince pour plier la fixation bloquée, de sorte que la tête de fixation sorte par la fente dans le magasin. Retirez ensuite la fixation bloquée.

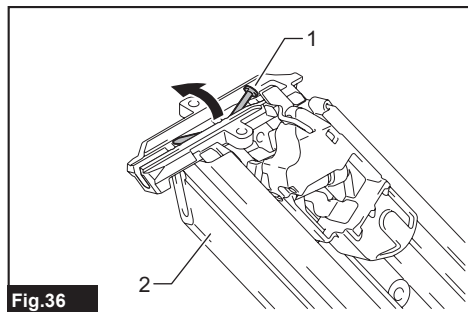


Fig.36

► 1. Fixation bloquée 2. Magasin

6. Insérez en angle la plaque de verrouillage du magasin dans la rainure de verrouillage du guide d'entraînement. Alignez les trous de boulon dans le magasin avec ceux dans le guide d'entraînement. Serrez le magasin sur le corps de l'outil avec les boulons.

ENTRETIEN

⚠ MISE EN GARDE : Ne démontez pas cet outil. Cet outil est scellé avec de l'air comprimé et le démontage pourrait entraîner des blessures graves.



⚠ ATTENTION : Assurez-vous toujours que l'outil est hors tension et que la batterie est retirée avant d'y effectuer tout travail d'inspection ou d'entretien.

AVIS : N'utilisez jamais d'essence, de benzène, de solvant, d'alcool ou autres produits similaires. Une décoloration, une déformation ou la formation de fissures peuvent en découler.

Pour maintenir la SÉCURITÉ et la FIABILITÉ du produit, les réparations et tout autre travail d'entretien ou de réglage doivent être effectués dans un centre de service après-vente autorisé ou une usine Makita, exclusivement avec des pièces de rechange Makita.

Entretien préventif

Nettoyez et inspectez minutieusement les composants mobiles (c.-à-d., l'élément de contact, le poussoir, etc.) sur une base régulière, en les gardant exempts de poussière et de saleté qui pourraient s'accumuler avec le temps.

NOTE : Si les composants mobiles ou coulissants, comme illustré ci-dessous, semblent fonctionner difficilement ou de façon inefficace, soufflez toute saleté et poussière présente autour, puis essuyez pour que le tout soit propre.

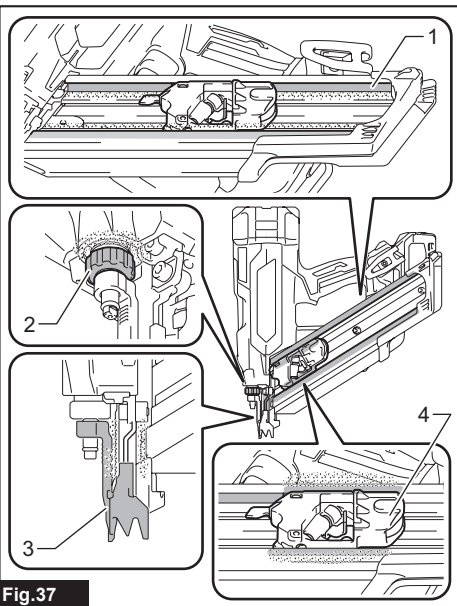


Fig.37

► 1. Rails d'alimentation 2. Régleur de profondeur 3. Élément de contact 4. Poussoir

Initialisation de la position du dispositif d'entraînement

Le dispositif d'entraînement pourrait ne pas être positionné correctement derrière la fixation pour qu'elle soit entraînée ensuite après un blocage de fixation ou dans une condition de batterie faible. Effectuez toujours les étapes d'initialisation avant de reprendre le fonctionnement.

1. Retirez la batterie de l'outil.
2. Retirez toutes les fixations laissées dans le magasin.

3. Observez la position du dispositif d'entraînement.

Si vous voyez le bout du dispositif d'entraînement hors du guide d'entraînement, l'élément de contact ne peut être actionné correctement pendant l'initialisation.

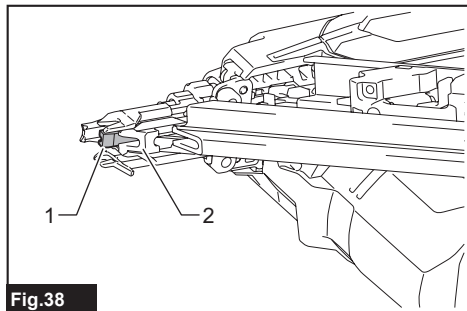


Fig.38

► 1. Dispositif d'entraînement 2. Guide d'entraînement

Tournez le régleur de profondeur pour régler au moins profond de manière à ce que l'élément de contact fonctionne correctement.

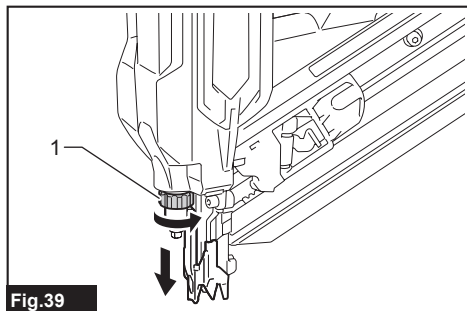


Fig.39

► 1. Régleur de profondeur

4. Posez la batterie et mettez l'outil en marche.

5. Poussez le poussoir vers le bas et maintenez-le en place. Puis, placez l'élément de contact contre le matériau qui peut être endommagé.

6. Tirez complètement la gâchette, avec l'élément de contact actionné, pour réinitialiser la position du dispositif d'entraînement.

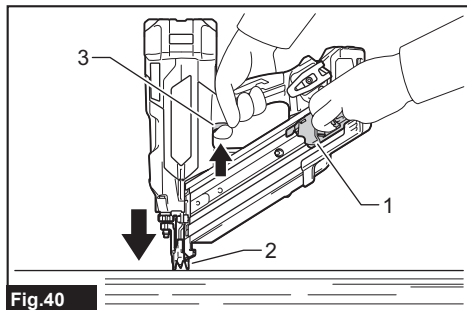


Fig.40

► 1. Poussoir 2. Élément de contact 3. Gâchette

La position du dispositif d'entraînement sera initialisée correctement.

7. Retirez la batterie de l'outil. Rechargez les fixations dans le magasin. Remettez la batterie dans l'outil.

ACCESSOIRES EN OPTION

ATTENTION : Ces accessoires ou pièces complémentaires sont recommandés pour l'utilisation avec l'outil Makita spécifié dans ce manuel. L'utilisation de tout autre accessoire ou pièce complémentaire peut comporter un risque de blessure. N'utilisez les accessoires ou pièces complémentaires qu'aux fins auxquelles ils ont été conçus.

Si vous désirez obtenir plus de détails sur ces accessoires, veuillez contacter le centre de service après-vente Makita le plus près.

- Clous
- Magasins de grande capacité
- Adaptateur de levage de tête de fixation
- Chargeur et batterie authentiques Makita

NOTE : Certains éléments de la liste peuvent être inclus avec l'outil comme accessoires standards. Ils peuvent varier suivant les pays.

GARANTIE LIMITÉE MAKITA

Pour les conditions de garantie en vigueur qui s'appliquent à ce produit, veuillez vous reporter à la feuille de garantie en annexe. Si la feuille de garantie en annexe n'est pas disponible, reportez-vous aux détails de la garantie présentés sur le site Web de votre pays, ci-dessous.

États-Unis d'Amérique: www.makitatools.com

Canada: www.makita.ca

Autres pays: www.makita.com

ESPECIFICACIONES

Modelo:	BN001G	BN002G
Figura de la cabeza de un clavo	Recortada	Redonda
Longitud del clavo	50 mm - 90 mm (2" - 3-1/2")	
Diámetro del vástago	ø2,9 mm - ø3,3 mm (ø0,113" - ø0,131")	ø2,9 mm - ø3,8 mm (ø0,113" - ø0,148")
Capacidad del cartucho	51 clavos - 58 clavos (1 tira + 11 clavos - 18 clavos)	36 clavos - 41 clavos (1 tira + 11 clavos - 16 clavos)
Ángulo de unión del clavo	30° - 34°	20° - 22°
Dimensiones (La x An x Al) ^{†1}	326 mm x 186 mm x 358 mm (12-7/8" x 7-3/8" x 14-1/8")	389 mm x 189 mm x 358 mm (15-3/8" x 7-1/2" x 14-1/8")
Tensión nominal	36 V - 40 V c.c. máx.	
Peso neto	5,3 kg - 6,5 kg (11,7 lbs - 14,3 lbs)	5,4 kg - 6,6 kg (11,9 lbs - 14,6 lbs)

^{†1} con el modelo BL4025

NOTA: En este manual de instrucciones, los clavos se denominan "clavos (fijadores)", a menos que se especifique lo contrario.

- Debido a nuestro continuo programa de investigación y desarrollo, las especificaciones aquí incluidas están sujetas a cambio sin previo aviso.
- Las especificaciones pueden variar de país a país.
- El valor del peso neto incluye la combinación más liviana y más pesada de los accesorios y cartucho(s) de batería que se especifican en el manual de instrucciones.

Cartucho de batería y cargador aplicables

Cartucho de batería	BL4020* / BL4025* / BL4040* / BL4040F* / BL4050F / BL4080F * : Batería recomendada
Cargador	DC40RA / DC40RB / DC40RC / DC40WA

- Algunos de los cartuchos de batería y cargadores enumerados arriba podrían no estar disponibles dependiendo de su área de residencia.

⚠ ADVERTENCIA: Use únicamente los cartuchos de batería y los cargadores indicados arriba. El uso de cualquier otro cartucho de batería y cargador podría ocasionar una lesión y/o un incendio.

ADVERTENCIAS DE SEGURIDAD

Advertencias generales de seguridad para herramientas eléctricas

⚠ ADVERTENCIA Lea todas las advertencias de seguridad, instrucciones, ilustraciones y especificaciones suministradas con esta herramienta eléctrica. El no seguir todas las instrucciones indicadas a continuación podrá ocasionar una descarga eléctrica, incendio o lesiones graves.

Conserve todas las advertencias e instrucciones como referencia en el futuro.

En las advertencias, el término "herramienta eléctrica" se refiere a su herramienta eléctrica de funcionamiento con conexión a la red eléctrica (con cableado eléctrico) o herramienta eléctrica de funcionamiento a batería (inalámbrica).

Seguridad en el área de trabajo

1. **Mantenga el área de trabajo limpia y bien iluminada.** Las áreas oscuras o desordenadas son propensas a accidentes.
2. **No utilice las herramientas eléctricas en atmósferas explosivas, tal como en la presencia de líquidos, gases o polvo inflamables.** Las herramientas eléctricas crean chispas que pueden prender fuego al polvo o los humos.
3. **Mantenga a los niños y curiosos alejados mientras utiliza una herramienta eléctrica.** Las

distracciones le pueden hacer perder el control.

Seguridad eléctrica

1. **Las clavijas de conexión de las herramientas eléctricas deberán encajar perfectamente en la toma de corriente. No modifique nunca la clavija de conexión de ninguna forma. No utilice ninguna clavija adaptadora con herramientas eléctricas que tengan conexión a tierra (puesta a tierra).** La utilización de clavijas no modificadas y que encajen perfectamente en la toma de corriente reducirá el riesgo de que se produzca una descarga eléctrica.
2. **Evite tocar con el cuerpo superficies conectadas a tierra o puestas a tierra tales como tubos, radiadores, cocinas y refrigeradores.** Si su cuerpo es puesto a tierra o conectado a tierra existirá un mayor riesgo de que sufra una descarga eléctrica.
3. **No exponga las herramientas eléctricas a la lluvia ni a condiciones húmedas.** La entrada de agua en una herramienta eléctrica aumentará el riesgo de que se produzca una descarga eléctrica.
4. **No maltrate el cable. Nunca utilice el cable para transportar, jalar o desconectar la herramienta eléctrica. Mantenga el cable alejado del calor, aceite, objetos cortantes o piezas móviles.** Los cables dañados o enredados aumentan el riesgo de sufrir una descarga eléctrica.
5. **Cuando utilice una herramienta eléctrica en exteriores, utilice un cable de extensión apropiado para uso en exteriores.** La utilización de un cable apropiado para uso en exteriores reducirá el riesgo de que se produzca una descarga eléctrica.
6. **Si no es posible evitar usar una herramienta eléctrica en condiciones húmedas, utilice un alimentador protegido con interruptor de circuito de falla a tierra (ICFT).** El uso de un ICFT reduce el riesgo de descarga eléctrica.
7. **Las herramientas eléctricas pueden producir campos electromagnéticos (CEM) que no son dañinos para el usuario.** Sin embargo, si los usuarios tienen marcapasos y otros dispositivos médicos similares, deberán consultar al fabricante de su dispositivo y/o a su médico antes de operar esta herramienta eléctrica.

Seguridad personal

1. **Manténgase alerta, preste atención a lo que está haciendo y utilice su sentido común cuando opere una herramienta eléctrica. No utilice una herramienta eléctrica cuando esté cansado o bajo la influencia de drogas, alcohol o medicamentos.** Un momento de distracción mientras opera las herramientas eléctricas puede terminar en una lesión grave.
2. **Use equipo de protección personal. Póngase siempre protección para los ojos.** El equipo protector tal como máscara contra el polvo, zapatos de seguridad antiderrapantes, casco rígido y protección para oídos utilizado en las condiciones apropiadas reducirá el riesgo de lesiones.
3. **Impida el encendido accidental. Asegúrese de que el interruptor esté en la posición de apagado antes de conectar a la alimentación eléctrica y/o de colocar el cartucho de batería,**

así como al levantar o cargar la herramienta.

Cargar las herramientas eléctricas con su dedo en el interruptor o enchufarlas con el interruptor encendido hace que los accidentes sean comunes.

4. **Retire cualquier llave de ajuste o llave de apriete antes de encender la herramienta.** Una llave de ajuste o llave de apriete que haya sido dejada puesta en una parte giratoria de la herramienta eléctrica puede ocasionar alguna lesión.
5. **No utilice la herramienta donde no alcance. Mantenga los pies sobre suelo firme y el equilibrio en todo momento.** Esto permite un mejor control de la herramienta eléctrica en situaciones inesperadas.
6. **Use una vestimenta apropiada. No use ropa suelta ni alhajas. Mantenga el cabello y la ropa alejados de las piezas móviles.** Las prendas de vestir holgadas, las alhajas y el cabello largo suelto podrían engancharse en estas piezas móviles.
7. **Si dispone de dispositivos para la conexión de equipos de extracción y recolección de polvo, asegúrese de conectarlos y utilizarlos debidamente.** Hacer uso de la recolección de polvo puede reducir los riesgos relacionados con el polvo.
8. **No permita que la familiaridad adquirida debido al uso frecuente de las herramientas haga que se sienta confiado e ignore los principios de seguridad de las herramientas.** Un descuido podría ocasionar una lesión grave en una fracción de segundo.
9. **Utilice siempre gafas protectoras para proteger sus ojos de lesiones al usar herramientas eléctricas. Las gafas deben cumplir con la Norma ANSI Z87.1 en EUA.** Es responsabilidad del empleador imponer el uso de equipos protectores de seguridad apropiados a los operadores de la herramienta y demás personas cerca del área de trabajo.

Mantenimiento y uso de la herramienta eléctrica

1. **No fuerce la herramienta eléctrica. Utilice la herramienta eléctrica correcta para su aplicación.** La herramienta eléctrica adecuada hará un mejor trabajo y de forma más segura a la velocidad para la que ha sido fabricada.
2. **No utilice la herramienta eléctrica si el interruptor no la enciende y apaga.** Cualquier herramienta eléctrica que no pueda ser controlada con el interruptor es peligrosa y debe ser reemplazada.
3. **Desconecte la clavija de la fuente de alimentación y/o retire la batería de la herramienta eléctrica, en caso de ser removable, antes de realizar ajustes, cambiar accesorios o almacenar las herramientas eléctricas.** Tales medidas de seguridad preventivas reducirán el riesgo de poner en marcha la herramienta eléctrica de forma accidental.
4. **Guarde la herramienta eléctrica que no use fuera del alcance de los niños y no permita que las personas que no están familiarizadas con ella o con las instrucciones la operen.** Las herramientas eléctricas son peligrosas en manos

de personas que no saben operarlas.

5. **Dé mantenimiento a las herramientas eléctricas y los accesorios.** Compruebe que no haya piezas móviles desalineadas o estancadas, piezas rotas y cualquier otra condición que pueda afectar al funcionamiento de la herramienta eléctrica. Si la herramienta eléctrica está dañada, haga que la reparen antes de utilizarla. Muchos de los accidentes son ocasionados por no dar un mantenimiento adecuado a las herramientas eléctricas.
6. **Mantenga las herramientas de corte limpias y filosas.** Si recibe un mantenimiento adecuado y tiene los bordes afilados, es probable que la herramienta se atasque menos y sea más fácil controlarla.
7. **Utilice la herramienta eléctrica, los accesorios y las brocas de acuerdo con estas instrucciones, considerando las condiciones laborales y el trabajo a realizar.** Si utiliza la herramienta eléctrica para realizar operaciones distintas de las indicadas, podrá presentarse una situación peligrosa.
8. **Mantenga los mangos y superficies de asimiento secos, limpios y libres de aceite o grasa.** Los mangos y superficies de asimiento resbalosos no permiten una manipulación segura ni el control de la herramienta en situaciones inesperadas.
9. **Cuando vaya a utilizar esta herramienta, evite usar guantes de trabajo de tela ya que éstos podrían atorarse.** Si los guantes de trabajo de tela llegan a atorarse en las piezas móviles, esto podría ocasionar lesiones personales.

Uso y cuidado de la herramienta a batería

1. **Recargue sólo con el cargador especificado por el fabricante.** Un cargador que es adecuado para un solo tipo de batería puede generar riesgo de incendio al ser utilizado con otra batería.
2. **Utilice las herramientas eléctricas solamente con las baterías designadas específicamente para ellas.** La utilización de cualquier otra batería puede crear un riesgo de lesiones o incendio.
3. **Cuando no se esté usando la batería, manténgala alejada de otros objetos metálicos, como sujetapapeles (clips), monedas, llaves, clavos, tornillos u otros objetos pequeños de metal los cuales pueden actuar creando una conexión entre las terminales de la batería.** Originar un cortocircuito en las terminales puede causar quemaduras o incendios.
4. **En condiciones abusivas, podrá escapar líquido de la batería; evite tocarlo. Si lo toca accidentalmente, enjuague con agua. Si hay contacto del líquido con los ojos, busque asistencia médica.** Puede que el líquido expulsado de la batería cause irritación o quemaduras.
5. **No utilice una herramienta ni una batería que estén dañadas o hayan sido modificadas.** Las baterías dañadas o modificadas podrían ocasionar una situación inesperada provocando un incendio, explosión o riesgo de lesiones.
6. **No exponga la herramienta ni la batería al fuego ni a una temperatura excesiva.** La exposición al fuego a una temperatura superior a 130

°C (265 °F) podría causar una explosión.

7. **Siga todas las instrucciones para la carga y evite cargar la herramienta o la batería fuera del rango de temperatura especificado en las instrucciones.** Una carga inadecuada o a una temperatura fuera del rango especificado podría dañar la batería e incrementar el riesgo de incendio.

Servicio

1. **Haga que una persona calificada repare la herramienta eléctrica utilizando sólo piezas de repuesto idénticas.** Esto asegura que se mantenga la seguridad de la herramienta eléctrica.
2. **Nunca dé servicio a baterías que estén dañadas.** El servicio a las baterías solamente deberá ser efectuado por el fabricante o un agente de servicio autorizado.
3. **Siga las instrucciones para la lubricación y cambio de accesorios.**
4. **No modifique ni intente reparar el aparato ni el paquete de baterías salvo como se indique en las instrucciones para el uso y cuidado.**

Advertencias de seguridad para la clavadora inalámbrica

1. **Siempre asuma que la herramienta contiene clavos.** Un manejo descuidado de la clavadora puede provocar el disparo accidental de los clavos y ocasionar lesiones personales.
2. **No apunte la herramienta hacia usted mismo ni hacia otras personas que estén cerca.** Un accionamiento inesperado del gatillo descargará el clavo ocasionando una lesión.
3. **No active la herramienta a menos que esté colocada firmemente contra la pieza de trabajo.** Si la herramienta no está haciendo contacto con la pieza de trabajo, el clavo podría desviarse lejos de su objetivo.
4. **Desconecte la herramienta de la fuente de alimentación cuando el clavo se atasque en la herramienta.** Al extraer algún clavo que se haya atascado, la clavadora podría activarse accidentalmente si ésta se encuentra conectada.
5. **Tenga precaución al extraer un clavo atascado.** El mecanismo podría estar bajo compresión y el clavo podría descargarse con fuerza al intentar liberarlo del atascamiento.
6. **No utilice esta clavadora para fijar cables eléctricos.** Ésta no está diseñada para la instalación de cableado eléctrico y podría dañar el aislamiento de los cables eléctricos, originando en consecuencia peligros de descarga eléctrica o incendio.
7. **Siempre use gafas de seguridad para proteger sus ojos del polvo o de lesiones ocasionadas por los clavos.**
8. **Mantenga las manos y los pies alejados del área del puerto de expulsión.**
9. **Siempre retire el cartucho de batería antes de cargar los clavos, hacer un ajuste, realizar una inspección y dar mantenimiento, o tras haber finalizado la operación.**




10. **Asegúrese de que no haya nadie cerca antes de la operación. Nunca intente clavar clavos al mismo tiempo desde la parte interior y exterior de la pared.** Los clavos podrían desgarrar o salir volando, representando un grave peligro.
11. **Esté atento a pisar sobre suelo firme y mantener el equilibrio con la herramienta. Asegúrese de que no haya nadie debajo cuando esté trabajando en lugares elevados.**
12. **Nunca utilice herramientas para clavar clavos marcadas con el símbolo de “No usar en andamios o escaleras” para aplicaciones específicas, por ejemplo:**
 - cambiar una ubicación de clavado a otra implica el uso de andamios, escalones, escaleras o construcciones similares a una escalera, por ejemplo listones para techos;
 - cerrar cajas o cajones;
 - instalar sistemas de seguridad de transporte, por ejemplo en vehículos y vagones.
13. **Revise cuidadosamente las paredes, techos, pisos, tejados y similares para evitar una posible descarga eléctrica, fuga de gas, explosiones, etc. a causa del engrapado en cables con corriente, conductos o tubos de gas.**
14. **Utilice solamente los clavos especificados en este manual.** El uso de cualquier otro clavo podría ocasionar una avería de la herramienta.
15. **No intente manipular indebidamente la herramienta ni procure usarla para otro fin que no sea clavar clavos.**
16. **No opere la herramienta sin clavos.** Esto acortará la vida útil de la herramienta.
17. **Detenga las operaciones de clavado de inmediato si nota algo malo o fuera de lo común con la herramienta.**
18. **Nunca clave en materiales que puedan ser perforados por el clavo y donde pueda salir volando como un proyectil.**
19. **Nunca active el gatillo interruptor y el elemento de contacto al mismo tiempo hasta que esté preparado para fijar las piezas de trabajo. Deje que la pieza de trabajo presione el elemento de contacto. Nunca anule su propósito fijando hacia atrás el elemento de contacto o presionándolo con la mano.**
20. **Nunca manipule indebidamente el elemento de contacto. Verifique con frecuencia el elemento de contacto para realizar las operaciones de manera correcta.**
21. **Siempre retire los clavos de la herramienta cuando no la esté utilizando.**
22. **Evite colocar imanes o dispositivos magnéticos similares demasiado cerca de la herramienta. Podría afectar el sensor magnético de la herramienta.**

GUARDE ESTAS INSTRUCCIONES.

⚠ADVERTENCIA: NO DEJE que la comodidad o familiaridad con el producto (a base de utilizarlo repetidamente) evite que siga estrictamente las normas de seguridad para dicho producto. **El USO INCORRECTO o el no seguir las normas de seguridad indicadas en este manual de instrucciones puede ocasionar lesiones graves.**

Símbolos

A continuación se muestran los símbolos utilizados para la herramienta.

V	volts o voltios
— — —	corriente directa o continua
	Lea y entienda el manual y las etiquetas de la herramienta. El no seguir las advertencias podría ocasionar la muerte o una lesión grave.
	Los operarios y demás personas que se encuentran en el área de trabajo deben usar gafas de seguridad con protección lateral.
	Mantenga los dedos alejados del gatillo interruptor cuando no esté colocando clavos a fin de evitar una descarga accidental.

Instrucciones importantes de seguridad para el cartucho de batería

1. **Antes de utilizar el cartucho de batería, lea todas las instrucciones e indicaciones de precaución en el (1) el cargador de batería, (2) la batería, y (3) el producto con el que se utiliza la batería.**
2. **No desarme ni modifique el cartucho de batería.** Podría ocurrir un incendio, calor excesivo o una explosión.
3. **Si el tiempo de operación se ha acortado en exceso, deje de operar de inmediato.** Podría correrse el riesgo de sobrecalentamiento, posibles quemaduras e incluso explosión.
4. **En caso de que ingresen electrolitos en sus ojos, enjuáguelos bien con agua limpia y consulte de inmediato a un médico.** Esto podría ocasionar pérdida de visión.
5. **Evite cortocircuitar el cartucho de batería:**
 - (1) **No toque las terminales con ningún material conductor.**
 - (2) **Evite guardar el cartucho de batería en un cajón junto con otros objetos metálicos, tales como clavos, monedas, etc.**
 - (3) **No exponga el cartucho de batería al agua o la lluvia.**

Un cortocircuito en la batería puede causar un flujo grande de corriente, sobrecalentamiento, posibles quemaduras e incluso una descompostura.
6. **No guarde ni utilice la herramienta y el cartucho de batería en lugares donde la**

temperatura pueda alcanzar o exceder los 50 °C (122 °F).

7. **Nunca incinere el cartucho de batería incluso en el caso de que esté dañado seriamente o ya no sirva en absoluto. El cartucho de batería puede explotar si se tira al fuego.**
8. **No clave, corte, aplaste, lance o deje caer el cartucho de batería, ni golpee un objeto sólido contra el cartucho de batería.** Dicha acción podría resultar en un incendio, calor excesivo o en una explosión.
9. **No use una batería dañada.**
10. **Las baterías de ión de litio están sujetas a los requisitos reglamentarios en materia de bienes peligrosos.**

Para el transporte comercial, por ej., mediante terceros o agentes de transporte, se deben tomar en cuenta los requisitos especiales relativos al empaque y el etiquetado.

Para efectuar los preparativos del artículo que se va a enviar, se requiere consultar a un experto en materiales peligrosos. Si es posible, consulte además otras regulaciones nacionales más detalladas. Pegue o cubra con cinta adhesiva los contactos abiertos y empaque la batería de manera que ésta no pueda moverse dentro del paquete.
11. **Para deshacerse del cartucho de batería, sáquelo de la herramienta y deséchelo en un lugar seguro. Siga las regulaciones locales relacionadas al desecho de las baterías.**
12. **Utilice las baterías únicamente con los productos especificados por Makita.** Instalar las baterías en productos que no cumplan con los requisitos podría ocasionar un incendio, un calentamiento excesivo, una explosión o una fuga de electrolito.
13. **Si no se utiliza la herramienta por un período largo, debe extraerse la batería de la herramienta.**
14. **El cartucho de batería podría absorber calor durante y después de su uso, lo que ocasionaría quemaduras o quemaduras a baja temperatura. Tenga cuidado con la manipulación de los cartuchos de batería que estén calientes.**
15. **No toque el terminal de la herramienta inmediatamente después de su uso, ya que el mismo podría estar lo suficientemente caliente como para provocar quemaduras.**
16. **No permita que las rebabas, el polvo o la tierra queden atrapados en los terminales, orificios y ranuras del cartucho de batería.** Podría provocar calentamiento, incendio, explosión y mal funcionamiento de la herramienta o del cartucho de batería, lo que resultaría en quemaduras o lesiones personales.
17. **No utilice el cartucho de batería cerca de cables eléctricos de alto voltaje, a menos que la herramienta sea compatible con el uso cercano a estos cables eléctricos de alto voltaje.** Esto podría ocasionar una avería o descomposición de la herramienta o del cartucho de batería.
18. **Mantenga la batería alejada de los niños.**

GUARDE ESTAS INSTRUCCIONES.

⚠PRECAUCIÓN: Utilice únicamente baterías originales de Makita. El uso de baterías no originales de Makita, o de baterías alteradas, puede ocasionar que las baterías exploten causando un incendio, lesiones personales y daños. Asimismo, esto invalidará la garantía de Makita para la herramienta y el cargador Makita.

AVISO: Makita no es responsable de ningún accidente que resulte del uso de baterías Makita no originales o de baterías que hayan sido modificadas. Las baterías originales Makita han sido evaluadas rigurosamente para garantizar su compatibilidad con las herramientas y cargadores Makita, de acuerdo con la legislación y los estándares de seguridad correspondientes.

Consejos para alargar al máximo la vida útil de la batería

1. **Cargue el cartucho de batería antes de que se descargue completamente. Pare siempre la operación y cargue el cartucho de batería cuando note menos potencia en la herramienta.**
2. **No cargue nunca un cartucho de batería que esté completamente cargado. La sobrecarga acortará la vida de servicio de la batería.**
3. **Cargue el cartucho de batería a una temperatura ambiente de 10 °C - 40 °C (50 °F - 104 °F). Si un cartucho de batería está caliente, déjelo enfriar antes de cargarlo.**
4. **Cuando no utilice el cartucho de batería, sáquelo de la herramienta o del cargador.**
5. **Cargue el cartucho de batería si no va a utilizarlo durante un período prolongado (más de seis meses).**

DESCRIPCIÓN DEL FUNCIONAMIENTO

⚠PRECAUCIÓN: Asegúrese siempre de que la herramienta esté apagada y el cartucho de batería haya sido extraído antes de realizar cualquier ajuste o comprobación en la herramienta.

Instalación o extracción del cartucho de batería

⚠PRECAUCIÓN: Apague siempre la herramienta antes de colocar o quitar el cartucho de batería.

⚠PRECAUCIÓN: Sujete la herramienta y el cartucho de la batería con firmeza al colocar o quitar el cartucho de batería. Si no se sujeta con firmeza la herramienta y el cartucho de batería, puede ocasionar que se resbalen de sus manos causando daños a la herramienta y al cartucho de batería, así como lesiones a la persona.

Para instalar el cartucho de batería, alinee la lengüeta sobre el cartucho de batería con la ranura en la carcasa y deslícela hasta su lugar. Insértelo por completo hasta que se fije en su lugar con un pequeño clic. Si puede ver el indicador rojo como se muestra en la ilustración, este no ha quedado asegurado por completo.

Para quitar el cartucho de batería, deslícelo de la herramienta mientras desliza el botón sobre la parte delantera del cartucho.

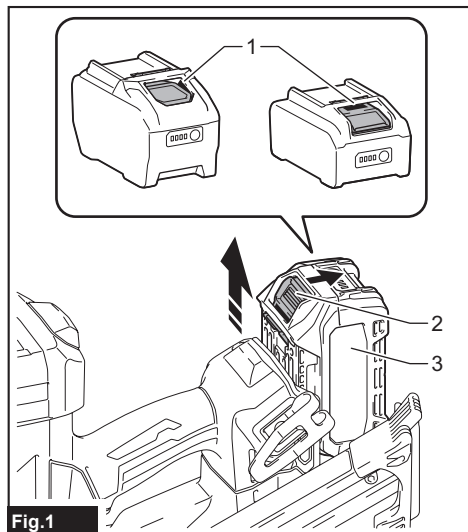


Fig. 1

► 1. Indicador rojo 2. Botón 3. Cartucho de batería

⚠PRECAUCIÓN: Introduzca siempre completamente el cartucho de batería hasta que el indicador rojo no pueda verse. Si no, podría accidentalmente salirse de la herramienta y caer al suelo causando una lesión a usted o alguien a su alrededor.

⚠PRECAUCIÓN: No instale el cartucho de batería a la fuerza. Si el cartucho no se desliza al interior fácilmente, se debe a que no está siendo insertado correctamente.

Indicación de la capacidad restante de la batería

Oprima el botón de verificación en el cartucho de la batería para que indique la capacidad restante de la batería. Las luces indicadoras se iluminarán por algunos segundos.

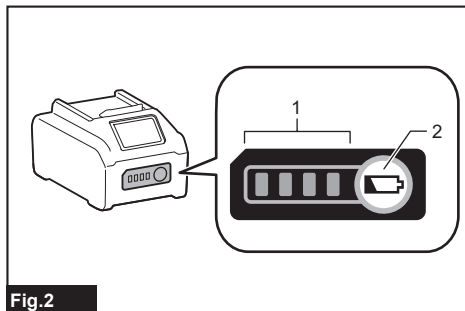


Fig. 2

► 1. Luces indicadoras 2. Botón de verificación

Luces indicadoras			Capacidad restante
Iluminadas	Apagadas	Parpadeando	
■ ■ ■ ■	□ □ □ □	▧	75% a 100%
■ ■ ■ □	□ □ □ □	▧	50% a 75%
■ ■ □ □	□ □ □ □	▧	25% a 50%
■ □ □ □	□ □ □ □	▧	0% a 25%
▧ □ □ □	□ □ □ □	▧	Cargar la batería.
■ ■ □ □	□ □ □ □	▧	La batería pudo haber funcionado mal.
□ □ ■ ■	□ □ □ □	▧	

NOTA: Dependiendo de las condiciones de uso y la temperatura ambiente, la indicación podrá diferir ligeramente de la capacidad real.

NOTA: La primera luz indicadora (extrema izquierda) parpadeará cuando el sistema de protección de batería esté en funcionamiento.

Sistema de protección para la herramienta/batería

La herramienta está equipada con un sistema de protección para la herramienta/batería. Este sistema corta en forma automática el suministro de energía al motor para prolongar la vida útil de la herramienta y la batería. La herramienta se detendrá automáticamente durante la operación si la herramienta o la batería se someten a una de las siguientes condiciones. En algunas condiciones, los indicadores pueden encenderse.

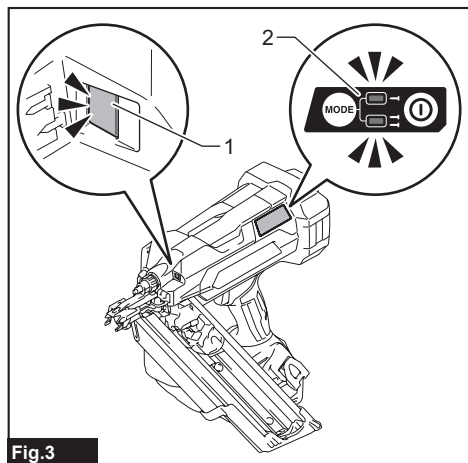


Fig.3

► 1. Luz indicadora 2. Indicador de encendido/ modo

NOTA: El diseño del interruptor varía según su región de residencia.

Indicación de estado de protección

Luz indicadora		Indicador de encendido/ modo		Estado
Encendida	Parpadeando	Encendida	Parpadeando	
				Sobrecarga

Protección contra sobrecarga

Cuando la herramienta/batería sean utilizadas de una manera que cause que consuman una cantidad inusualmente alta de corriente, la herramienta se detendrá automáticamente. En este caso, apague la herramienta y detenga la aplicación que causó que la herramienta se sobrecargara. Luego encienda la herramienta para reiniciarla.

Protección contra sobrecalentamiento

Cuando la herramienta/batería se sobrecalienten, la herramienta se detendrá automáticamente. En este

caso, permita que la herramienta se enfríe antes de volver a encenderla.

Protección contra sobredescarga

Cuando la capacidad de la batería se reduce, la herramienta se detiene automáticamente. Si el producto no funciona incluso cuando los interruptores están siendo operados, retire la o las baterías de la herramienta y cárguela(s).

Protección contra otras causas

El sistema de protección también está diseñado para otras causas que podrían dañar la herramienta, y permite que la herramienta se detenga automáticamente. Siga todos los pasos a continuación para eliminar las causas cuando la herramienta se haya detenido temporalmente o se haya detenido durante el funcionamiento.

1. Asegúrese de que todos los interruptores estén en la posición de apagado, y luego vuelva a encender la herramienta para reiniciarla.
2. Cargue la(s) batería(s) o reemplácela(s) con batería(s) recargada(s).
3. Deje que la herramienta y la(s) batería(s) se enfríen.

Si no hay ninguna mejora al restaurar el sistema de protección, comuníquese con su centro local de servicio Makita.

Accionamiento del interruptor de encendido

¡PRECAUCIÓN: Antes de insertar el cartucho de batería en la herramienta, compruebe siempre y cerciórese de que el gatillo interruptor se acciona debidamente y que vuelve a la posición "OFF" (apagado) cuando lo suelta.

Para encender la herramienta, mantenga presionado el botón de encendido principal hasta que se encienda el indicador de encendido.

Para apagar la herramienta, mantenga oprimido el botón de encendido principal hasta que el indicador de energía se apague.

NOTA: El diseño del interruptor varía según su región de residencia.

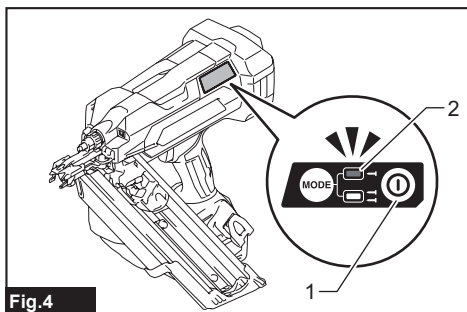


Fig.4

► 1. Botón de encendido principal 2. Indicador de encendido

NOTA: La herramienta no se puede encender mientras el gatillo interruptor o el elemento de contacto están accionados. Asegúrese de soltar el gatillo interruptor y el elemento de contacto antes de encender la herramienta.

NOTA: La herramienta no se puede apagar mientras se colocan clavos.

NOTA: El interruptor de alimentación principal se apagará automáticamente si la herramienta se deja desatendida durante un período prolongado.

Selección del modo de accionamiento

Específico del país

NOTA: En algunas regiones o países, solamente está disponible un único modo de clavado (accionamiento secuencial completo). El diseño del interruptor varía según su región de residencia.

La herramienta emplea un disparo de accionamiento selectivo. Presione y mantenga presionado brevemente el botón de cambio de modo de accionamiento para seleccionar el modo de accionamiento deseado.

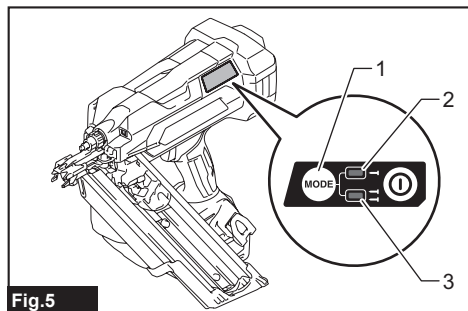


Fig. 5

- ▶ 1. Botón de cambio de modo de accionamiento
- 2. Modo de accionamiento secuencial
- 3. Modo de accionamiento por contacto

Interruptor de modo	Modo de accionamiento	Característica
	Accionamiento secuencial completo	Clave un clavo en una operación secuencial. Adecuado para colocar un clavo con cuidado y precisión, y útil cuando se requiere una colocación precisa del clavo.
	Accionamiento por contacto	Está disponible tanto el clavado individual como el continuo. Preferido cuando se requiere una colocación de clavos de alta productividad.

: No disponible en algunas regiones y países.

NOTA: El modo de accionamiento no se puede cambiar a otro mientras esté accionado el gatillo interruptor o el elemento de contacto.

Ajuste de la profundidad de clavado

ADVERTENCIA: Asegúrese siempre de que sus dedos no estén colocados sobre el gatillo interruptor o el elemento de contacto, y que el cartucho de batería haya sido extraído antes de ajustar la profundidad del clavado.

Gire el ajustador de profundidad para ajustar la profundidad del clavado. La profundidad de clavado se hace más honda a medida que se gira el ajustador de profundidad en la dirección de A, y menos honda si se gira en la dirección de B, tal como se ilustra en la figura. El rango del ajuste de la profundidad del clavado es de 8,5 mm (11/32").

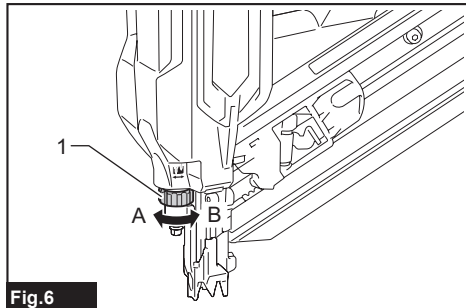


Fig. 6

- ▶ 1. Ajustador de profundidad

AVISO: No gire demasiado el ajustador de profundidad, porque el ajustador de profundidad podría atascarse.

Ajuste la profundidad de clavado según sea necesario.

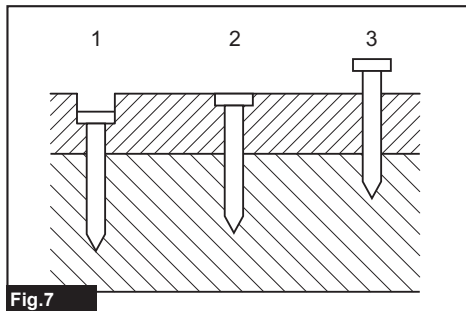


Fig. 7

- ▶ 1. Demasiado profundo 2. Al ras 3. Demasiado superficial

Encendido de la lámpara

PRECAUCIÓN: No mire a la luz ni vea a la fuente de luz directamente.

Jale el gatillo interruptor o accione el elemento de contacto para encender la lámpara. La lámpara continuará encendida mientras se esté jalando el gatillo interruptor o accionando el elemento de contacto. La lámpara se apagará varios segundos después de haber soltado el gatillo interruptor y el elemento de contacto.

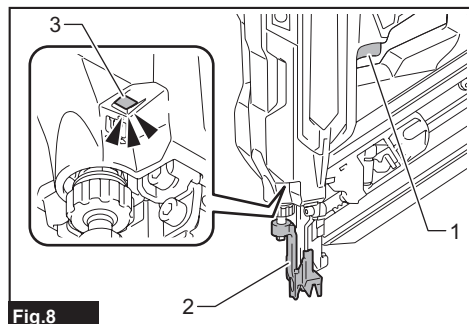


Fig.8

► 1. Gatillo interruptor 2. Elemento de contacto 3. Luz

AVISO: Utilice un paño seco para quitar la suciedad de la lente de la lámpara. Tenga cuidado de no rayar la lente de la lámpara ya que la iluminación podría disminuir.

AVISO: Cuando la herramienta se sobrecaliente, la lámpara parpadea. En este caso, suelte el gatillo interruptor y el elemento de contacto, y luego deje enfriar la herramienta/batería antes de hacerla funcionar nuevamente.

NOTA: Es posible que la herramienta no clave si la batería tiene poca energía, incluso cuando la lámpara permanece encendida. En este caso, cargue el cartucho de batería.

MONTAJE

PRECAUCIÓN: Asegúrese siempre de que la herramienta esté apagada y el cartucho de batería haya sido extraído antes de realizar cualquier trabajo en la misma.

Carga y descarga de los clavos

PRECAUCIÓN: Asegúrese siempre de que se haya extraído el cartucho de batería antes de cargar los clavos. Un disparo accidental podría causar lesiones personales y daños materiales.

PRECAUCIÓN: Cargue los clavos en la dirección correcta. El cargarlos en la dirección incorrecta podría causar el desgaste prematuro del impulsor y daños a otras piezas.

PRECAUCIÓN: Tenga cuidado de no pillarse los dedos con el cartucho. La palanca pulsadora tiende a volver a su posición original cuando se desbloquea.

PRECAUCIÓN: No deslice bruscamente el empujador con clavos cargados en el cartucho. La caída accidental de clavos, especialmente si se está trabajando en lugares elevados, podría causar lesiones personales.

AVISO: Deslice suavemente la palanca pulsadora a lo largo del cartucho. Un contacto fuerte entre la palanca pulsadora y la tira de clavos podría dañar los clavos.

1. Retire el cartucho de batería.
2. Inserte una tira de clavos en la ranura del cartucho.

Asegúrese de alinear los contornos de las cabezas de los clavos con los de la ranura.

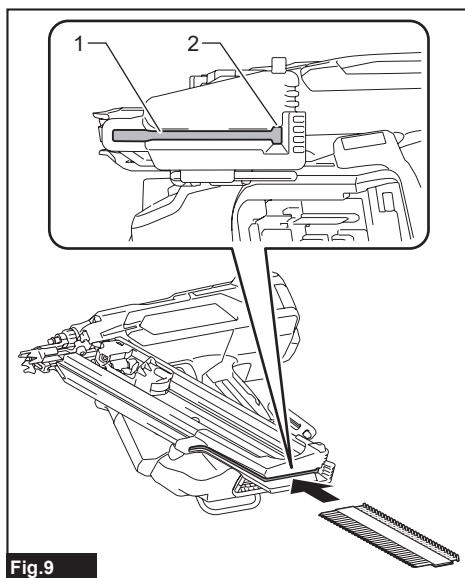


Fig.9

► 1. Ranura 2. Contorno de la cabeza del clavo

3. Apriete la palanca del propulsor para levantar la placa del propulsor por encima de la tira de clavos fijadores cargada. Luego, tire del propulsor hacia la ranura.

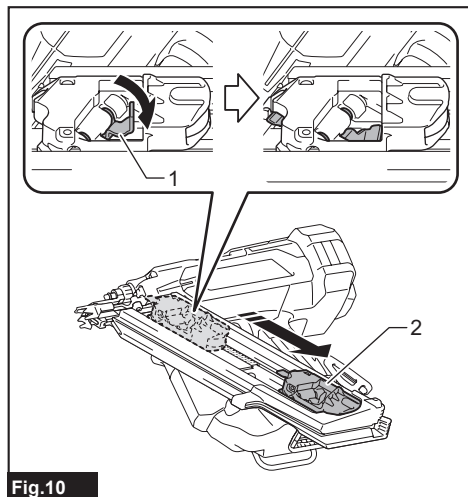


Fig.10

- 1. Palanca del propulsor 2. Palanca pulsadora

4. Libere la palanca del propulsor y deslice el propulsor hacia atrás liberando la tensión del resorte de manera segura.

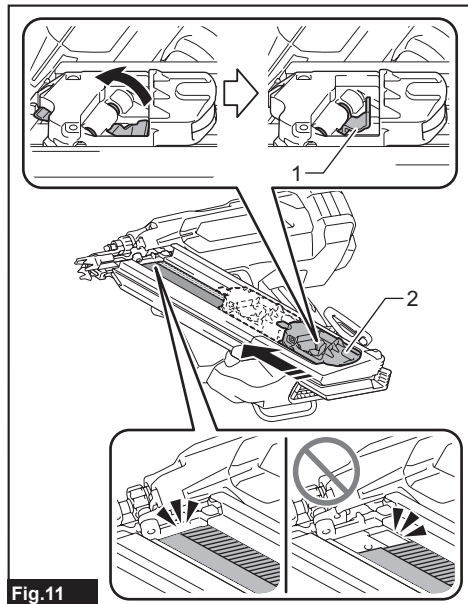


Fig.11

- 1. Palanca del propulsor 2. Palanca pulsadora

AVISO: Asegúrese de que la tira de clavos esté correctamente alineada en el cartucho y asegurada con la palanca pulsadora. De lo contrario, intente cargarla de nuevo.

AVISO: No utilice clavos ni tiras de clavos deformados. Utilice los clavos especificados en este manual. El uso de clavos distintos a los especificados podría provocar que los sujetadores se atasquen y funcionen mal.

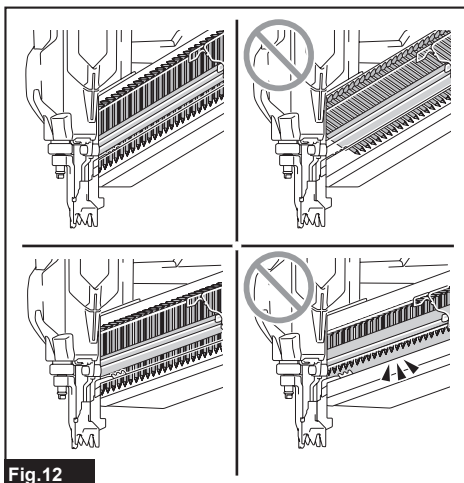


Fig.12

Para extraer los clavos, siga el procedimiento de instalación en orden inverso.

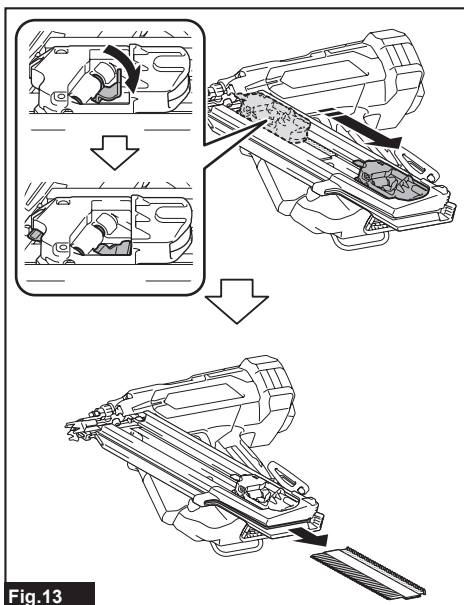


Fig.13

Instalación del cartucho de capacidad extendida

Accesorio opcional

⚠PRECAUCIÓN: Asegúrese siempre de descargar todos los clavos que quedan en el cartucho y de retirar el cartucho de batería de la herramienta antes de instalar un cartucho de capacidad extendida.

Utilice un accesorio de cartucho de gran capacidad para que la herramienta lleve más clavos.

1. Afloje y retire los pernos que sujetan el cartucho con la llave hexagonal.

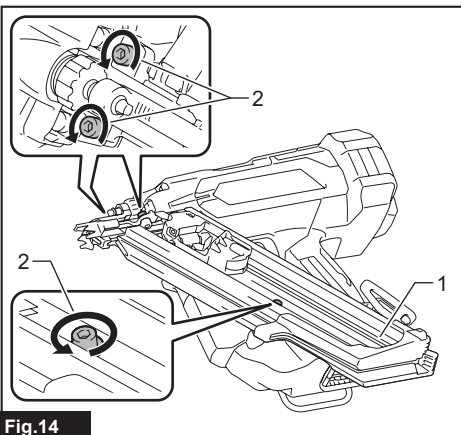


Fig.14

► 1. Cartucho 2. Pernos

2. Levante ligeramente el extremo libre del cartucho equipado de serie, y extráigalo.

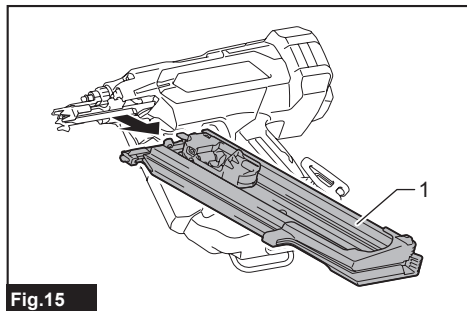


Fig.15

► 1. Cartucho equipado de serie

3. Inserte la placa de bloqueo del cartucho de capacidad extendida en la ranura de bloqueo de la guía de clavado en ángulo. Alinee los orificios para los pernos del cartucho con los de la guía de clavado. Luego, apriete los pernos poco a poco usando la llave hexagonal.

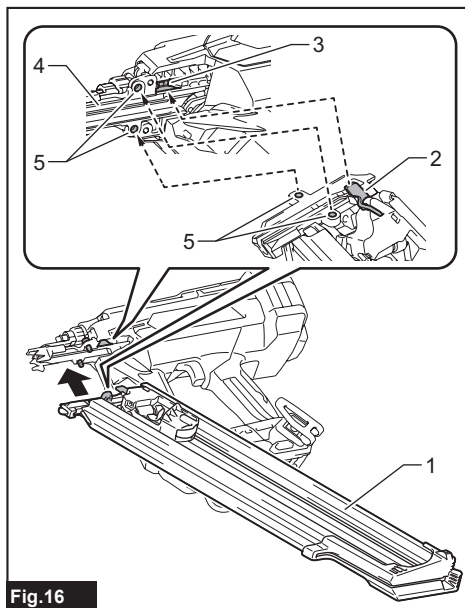


Fig.16

► 1. Cartucho de capacidad extendida 2. Placa de bloqueo 3. Muesca de bloqueo 4. Guía de clavado 5. Orificios para pernos

4. Apriete el cartucho de capacidad extendida en el cuerpo de la herramienta con el perno.

5. Vuelva a apretar todos los pernos para asegurar el cartucho de capacidad extendida.

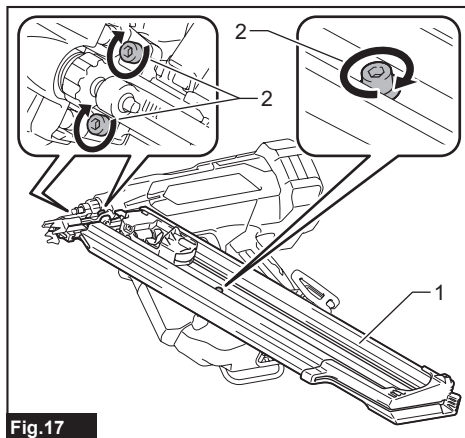


Fig.17

► 1. Cartucho de capacidad extendida 2. Pernos

Adaptador de boquilla

⚠PRECAUCIÓN: Asegúrese siempre de que sus dedos no estén colocados sobre el gatillo interruptor o el elemento de contacto, retire todos los clavos que queden en el cartucho y retire el cartucho de batería antes de colocar o quitar el adaptador de boquilla.

Al colocar clavos en materiales con superficies que se dañan fácilmente, coloque el adaptador de boquilla en el elemento de contacto.

NOTA: Si desea fijar el encofrado levantando la cabeza del clavo de la superficie del encofrado, puede hacer flotar fácilmente la cabeza del clavo usando el adaptador de elevación de cabeza del clavo (accesorio opcional).

Colocación del adaptador de boquilla

1. Coloque ligeramente el adaptador de boquilla sobre el elemento de contacto.
2. Suelte el gatillo interruptor.
3. Coloque el elemento de contacto plano sobre el material que pueda dañarse.
4. Empuje el elemento de contacto hasta que el adaptador de boquilla encaje firmemente en el elemento de contacto.

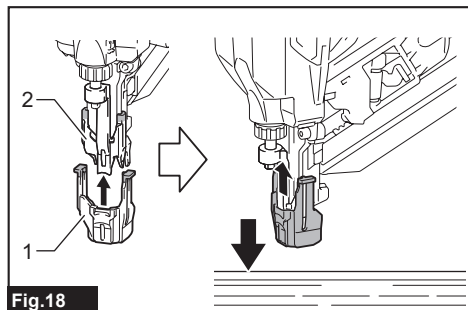


Fig.18

- 1. Adaptador de boquilla 2. Elemento de contacto

NOTA: Asegúrese de que los extremos de brazo en forma de gancho del adaptador de boquilla encajen completamente en el elemento de contacto.

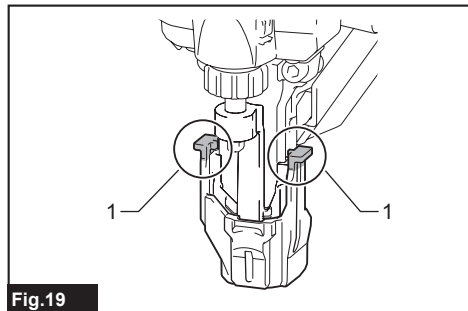


Fig.19

- 1. Extremos de brazo en forma de gancho

Separación del adaptador de boquilla

1. Coloque la herramienta boca abajo.
2. Desenganche los brazos del adaptador de boquilla del elemento de contacto, y deslice el adaptador de boquilla fuera del conjunto.

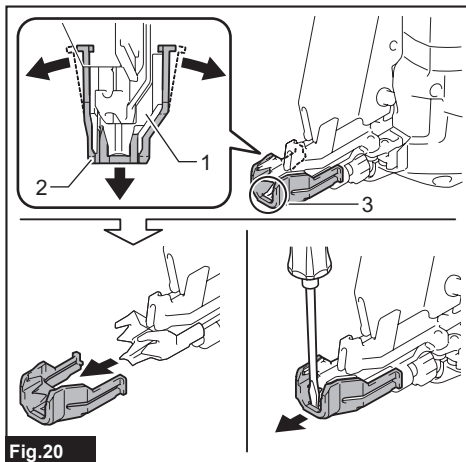


Fig.20

- 1. Elemento de contacto 2. Adaptador de boquilla
3. Espacio

NOTA: Utilice un destornillador plano para separar las piezas si le resulta difícil separar el adaptador de punta.

Gancho

⚠ADVERTENCIA: Tenga cuidado de no sobrecargar el gancho aplicando demasiada fuerza. De lo contrario, la sobrecarga irregular podría ocasionar daños a la herramienta y provocar lesiones personales.

⚠PRECAUCIÓN: No cuelgue el gancho del cinturón. Si la herramienta se cae debido a que el gancho se soltó accidentalmente, podría causar un disparo no intencional y ocasionar lesiones personales.

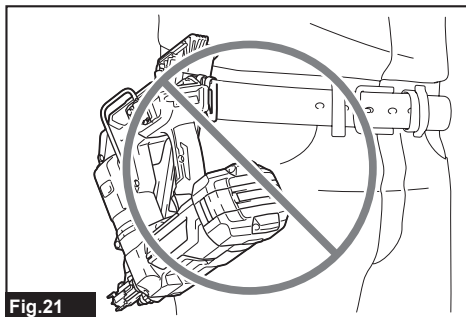


Fig.21

⚠️ PRECAUCIÓN: Cuando instale el gancho, siempre asegúrelo firmemente con el tornillo. De lo contrario, el gancho podría desprenderse de la herramienta y ocasionar lesiones personales.

⚠️ PRECAUCIÓN: Utilice las piezas para colgar o montar únicamente para los fines previstos. El uso para un fin no previsto podría provocar accidentes o lesiones personales.

⚠️ PRECAUCIÓN: Asegúrese de colgar la herramienta de forma segura antes de soltarla. Un enganche insuficiente o desequilibrado podría provocar caídas y lesiones.

Hay dos tipos de ganchos para herramientas disponibles según sus necesidades. Utilice un gancho en forma de clip o un gancho en forma de C para colgar la herramienta en un estante para herramientas, un riel o la pared.

Gancho en forma de clip

Inserte el gancho en forma de clip en una muesca de la carcasa de la herramienta, y luego asegúrelo con un perno hexagonal.

Para quitar el gancho en forma de clip, afloje el perno y luego saque el gancho.

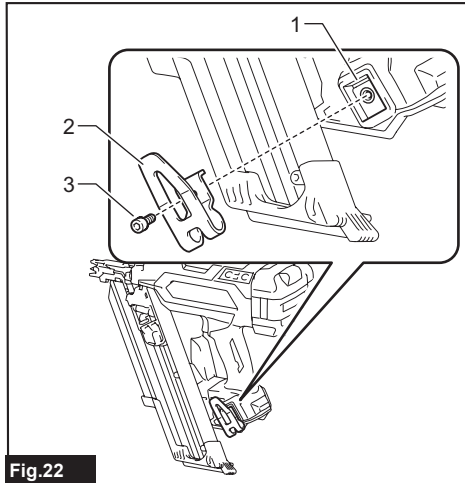


Fig.22

► 1. Ranura 2. Gancho en forma de clip 3. Perno hexagonal

Gancho en forma de C

Alineando los dos conjuntos de orificios para pernos, coloque el gancho en forma de C en la carcasa de la herramienta con la abertura del gancho en forma de C hacia arriba. Apriete el gancho en forma de C con dos pernos hexagonales.

Para quitar el gancho en forma de C, afloje los pernos y luego saque el gancho.

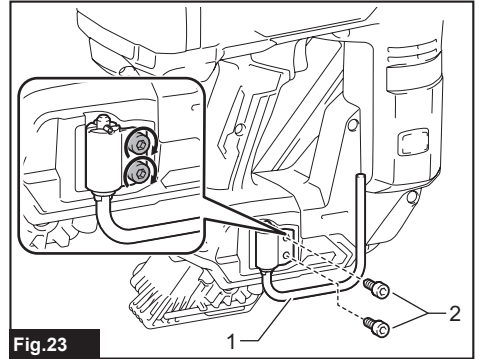


Fig.23

► 1. Gancho en forma de C 2. Pernos hexagonales

El gancho en forma de C se puede colocar abierto a intervalos de 90 grados.

Empuje y sostenga el gancho hacia arriba, y gírelo hasta la posición deseada.

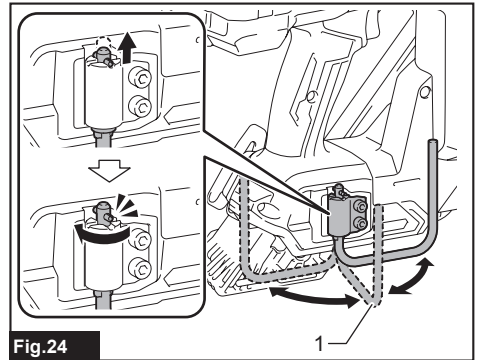


Fig.24

► 1. Gancho en forma de C

Almacenamiento de la llave Allen (hexagonal)

Cuando no la utilice, guarde la llave hexagonal como se muestra en la figura para evitar que se pierda.

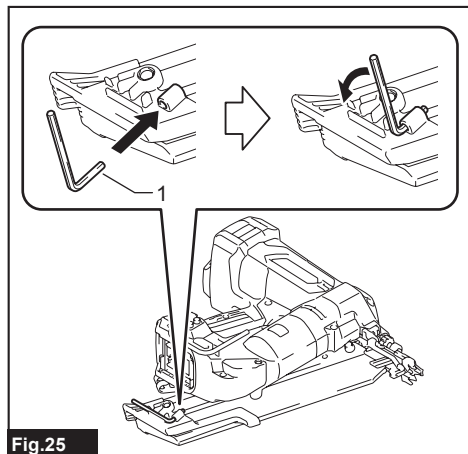


Fig.25

► 1. Llave Allen (hexagonal)

OPERACIÓN

Prueba del sistema de seguridad

⚠ADVERTENCIA: Asegúrese de que todos los sistemas de seguridad estén funcionando correctamente antes de la operación. El no hacerlo podría causar lesiones personales.

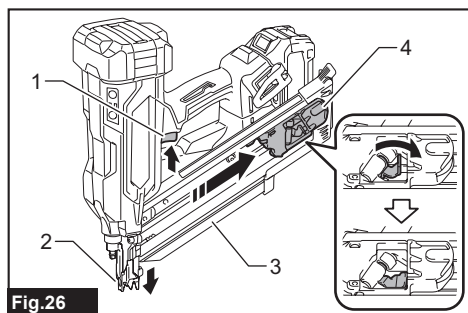


Fig.26

► 1. Gatillo interruptor 2. Elemento de contacto
3. Cartucho 4. Palanca pulsadora

Pruebe el sistema de seguridad de la siguiente manera para detectar posibles fallas o mal funcionamiento antes de operarlo.

1. Retire el cartucho de batería de la herramienta. A continuación, descargue todos los clavos que quedan en el cartucho.

2. Instale el cartucho de batería en su lugar, y encienda la herramienta.
3. Jale el gatillo interruptor sin que el elemento de contacto toque el material.
4. Jale la palanca pulsadora hacia abajo y manténgala en su lugar. Luego, coloque el elemento de contacto contra el material sin jalar el gatillo interruptor.

Si la herramienta funciona en el caso de los pasos 3 o 4 descritos anteriormente, el sistema de seguridad no está funcionando correctamente. Deje de utilizar la herramienta inmediatamente y pregunte en el centro de servicio de Makita de su localidad.

Manejo de los clavos

Clavos

Manipule los clavos y su caja con cuidado. Si los clavos se han manipulado con brusquedad, puede que hayan quedado deformados o que las tiras se hayan partido, ocasionando una alimentación de clavos deficiente.

AVISO: Evite almacenar los clavos en lugares muy húmedos o calientes o expuestos a la luz directa del sol.

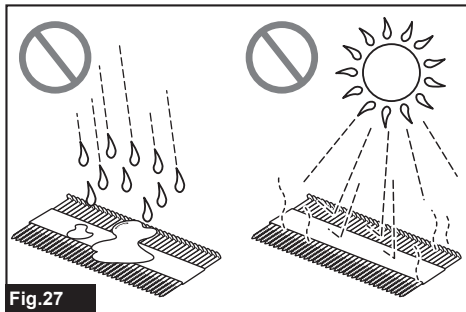


Fig.27

Clavado de los clavos

⚠ADVERTENCIA: Mantenga la cara alejada de la herramienta cuando la utilice. De lo contrario, podría ocasionar lesiones.

⚠ADVERTENCIA: No utilice esta clavadora para clavar cables eléctricos. Esta herramienta no está diseñada para la instalación de cableado eléctrico y podría dañar el aislamiento de los cables eléctricos, originando en consecuencia peligros de descarga eléctrica o incendio.

⚠ADVERTENCIA: Mantenga el elemento de contacto colocado firmemente sobre el material hasta que el clavo se haya clavado por completo. Un disparo no intencional podría causar lesiones personales.

⚠PRECAUCIÓN: Sujete firmemente la herramienta durante la operación.

⚠PRECAUCIÓN: No clave clavos en materiales duros como metales o similares. Si el clavo no puede penetrar en el material, la herramienta podría experimentar un fuerte retroceso y resultar en lesiones.

AVISO: La herramienta no comenzará a apretar después de cinco segundos sin operación del interruptor mientras se esté accionando únicamente el gatillo interruptor o el elemento de contacto. Suelte el gatillo interruptor o extraiga el elemento de contacto de la pieza de trabajo, y luego vuelva a colocar la herramienta en su lugar para reiniciar la fijación.

NOTA: Si la herramienta se acciona durante mucho tiempo de manera continua, el aire de escape se calentará debido al calor procedente del motor.

La herramienta emplea dos acciones de clavado: accionamiento secuencial completo y accionamiento por contacto.

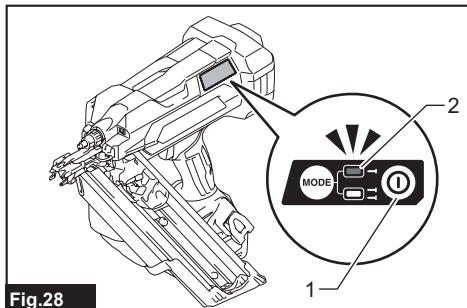
NOTA: En algunas regiones o países, solamente está disponible un único modo de clavado (accionamiento secuencial completo). El diseño del interruptor varía según su región de residencia.

Accionamiento secuencial completo

En este modo, usted puede insertar un clavo mediante una operación secuencial.

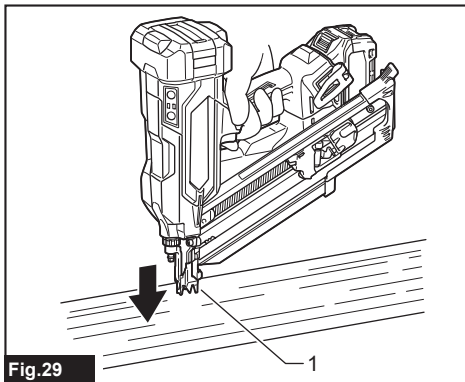
Es necesario activar un contacto de la pieza de trabajo y luego un gatillo en una secuencia específica para accionar la herramienta. Suelte y vuelva a activar los controles del interruptor en la misma secuencia para continuar colocando los clavos.

1. Mantenga oprimido el botón de encendido principal para encender la herramienta.
2. Asegúrese de que la luz indicadora del modo de accionamiento secuencial se encienda.



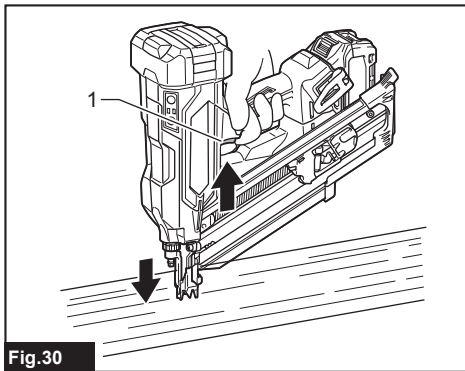
- 1. Botón de encendido principal 2. Luz indicadora de modo de accionamiento secuencial

3. Coloque el elemento de contacto horizontalmente sobre el material.



- 1. Elemento de contacto

4. Jale el gatillo interruptor completamente para clavar un clavo.



- 1. Gatillo interruptor

5. Suelte el dedo del gatillo interruptor. Luego levante el elemento de contacto del material.

Para clavar el siguiente clavo, repita los pasos 3 a 5 en la misma secuencia.

Accionamiento por contacto

Específico del país

En este modo, puede elegir entre clavado continuo o individual siguiendo cualquier secuencia de operación del gatillo.

Se puede activar un contacto de pieza de trabajo y un gatillo en cualquier secuencia para accionar la herramienta. Libere y vuelva a activar el contacto de la pieza de trabajo para impulsar los clavos de forma continua.

Para un clavado individual

1. Mantenga oprimido el botón de encendido principal para encender la herramienta.

2. Presione y mantenga presionado brevemente el botón de cambio de modo de accionamiento para seleccionar el modo de accionamiento por contacto.

La lámpara del modo de accionamiento por contacto se ilumina.

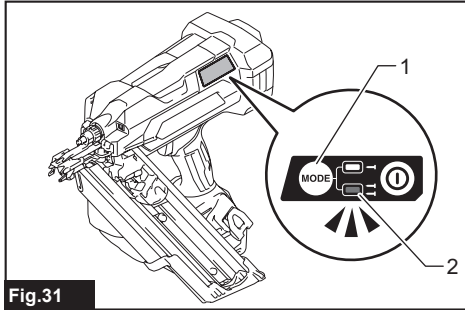


Fig.31

- ▶ 1. Botón de cambio de modo de accionamiento
- 2. Luz indicadora de modo de accionamiento por contacto

3. Coloque el elemento de contacto horizontalmente sobre el material.

4. Jale el gatillo interruptor completamente para clavar un clavo.

5. Suelte el dedo del gatillo interruptor. Luego levante el elemento de contacto del material.

Para clavar el siguiente clavo, repita los pasos 3 a 5 en la misma secuencia.

Para un clavado continuo

1. Mantenga oprimido el botón de encendido principal para encender la herramienta.

2. Presione y mantenga presionado brevemente el botón de cambio de modo de accionamiento para seleccionar el modo de accionamiento por contacto.

La lámpara del modo de accionamiento por contacto se ilumina.

3. Jale el gatillo interruptor.

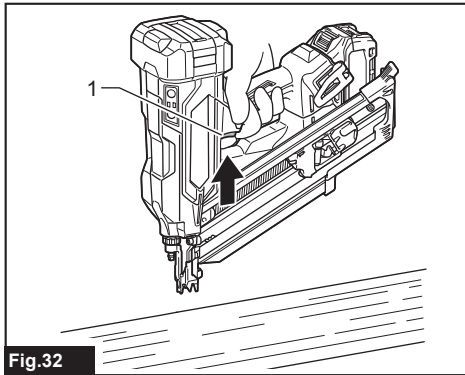


Fig.32

- ▶ 1. Gatillo interruptor

4. Coloque el elemento de contacto plano sobre el material para colocar un clavo.

5. Mueva la herramienta a las siguientes áreas con el gatillo interruptor presionado, y coloque el elemento de contacto extendido sobre el material para colocar los siguientes clavos.

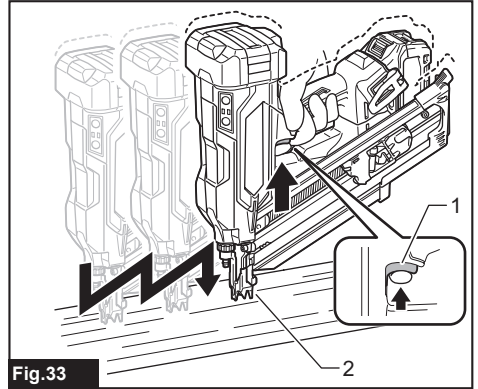


Fig.33

- ▶ 1. Gatillo interruptor 2. Elemento de contacto

Mecanismo contra el disparo en seco

Cuando los clavos restantes en el cartucho disminuyen a 7 - 9 piezas para el modelo BN001G / 6 - 7 piezas para el modelo BN002G, el interruptor ya no puede accionarse y la herramienta deja de clavar. Inserte una nueva tira de clavos en el cartucho antes de reiniciar la operación.

Extracción de clavos atascados

⚠ADVERTENCIA: Asegúrese siempre de quitar el cartucho de batería y los clavos antes de quitar los clavos atascados.

⚠ADVERTENCIA: No presione con fuerza el impulsor de clavos. No golpee el impulsor de clavos ni los clavos con ninguna herramienta manual para eliminar atascos. Tenga en cuenta que la herramienta se carga con aire comprimido y la presión se mantiene en el interior. No seguir las precauciones de seguridad del manual puede provocar lesiones graves.

⚠ADVERTENCIA: Nunca apunte la herramienta hacia usted mismo ni hacia otras personas cercanas al eliminar atascos. De lo contrario, podría haber riesgo de lesiones por disparo fallido, ya que la herramienta se carga con aire comprimido en una cámara sellada de fábrica.

⚠PRECAUCIÓN: No retire los clavos atascados con las manos desnudas. El clavo podría saltar del cartucho y provocar lesiones.

⚠PRECAUCIÓN: Para abordar atascos frecuentes o situaciones de atascos difíciles de eliminar, consulte con su Centro de Servicio Makita local.

Cuando se produzca un atasco de clavos, observe de cerca la unidad de alimentación e inserción de clavos.

Los atascos tienden a ser causados por clavos encajados entre el impulsor de clavos y la guía de clavado.

1. Retire el cartucho de batería de la herramienta.
2. Saque todos los clavos que queden en el cartucho.
3. Elimine el atasco utilizando unas pinzas o algo similar.

NOTA: Desmonte el cartucho de la herramienta si se produce un atasco dentro de la unidad de alimentación e inserción de clavos.

4. Afloje y retire los pernos que sujetan el cartucho con la llave hexagonal. Luego, levante ligeramente el extremo libre del cartucho, y extráigalo.

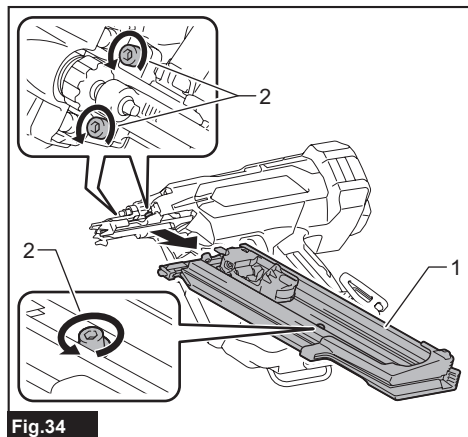


Fig.34

- 1. Cartucho 2. Pernos

5. Retire los clavos atascados en la abertura de salida del sujetador o a través de la guía de clavado. Utilice pinzas para doblar el clavo fijador atascado de manera que la cabeza del clavo salga de la ranura en la guía de clavado. Después, retire el clavo atascado.

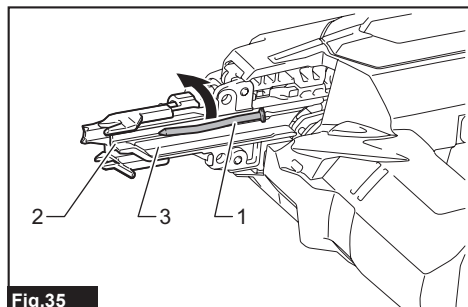


Fig.35

- 1. Clavo atascado 2. Abertura para salida del clavo
3. Guía de clavado

Es posible que se produzca un atasco en la ranura de alimentación de clavos del cartucho. Utilice pinzas para doblar el clavo atascado de manera que la cabeza del clavo salga de la ranura en el cartucho. Después, retire el clavo atascado.

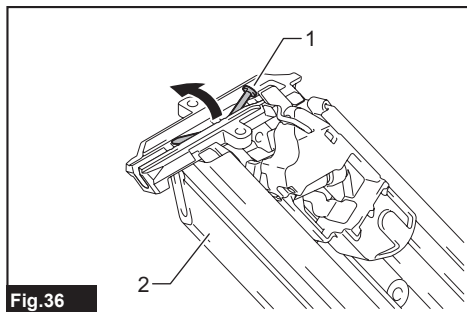


Fig.36

- 1. Clavo atascado 2. Cartucho

6. Inserte la placa de bloqueo del cartucho en la ranura de bloqueo de la guía de clavado en ángulo. Alinee los orificios para los pernos del cartucho con los de la guía de clavado. Apriete el cartucho en el cuerpo de la herramienta con los pernos.

MANTENIMIENTO

ADVERTENCIA: No desensamble esta herramienta. Esta herramienta está sellada con aire comprimido y su desmontaje podría provocar lesiones graves.



PRECAUCIÓN: Asegúrese siempre de que la herramienta esté apagada y el cartucho de batería extraído antes de intentar realizar una inspección o mantenimiento.

AVISO: Nunca use gasolina, bencina, diluyente (tíner), alcohol o sustancias similares. Puede que esto ocasione grietas o decoloramiento.

Para mantener la SEGURIDAD y FIABILIDAD del producto, las reparaciones, y cualquier otra tarea de mantenimiento o ajuste deberán ser realizadas en centros de servicio autorizados o de fábrica Makita, empleando siempre repuestos Makita.

Mantenimiento preventivo

Limpie e inspeccione minuciosamente los componentes móviles (es decir, elemento de contacto, propulsor, etc.) con regularidad, manteniéndolos libres de polvo y suciedad que puedan acumularse con el tiempo.

NOTA: Si los componentes móviles y deslizantes, como se ilustra a continuación, parecen funcionar de manera deficiente o ineficiente, elimine la suciedad y el polvo adheridos y luego límpieli con un paño.

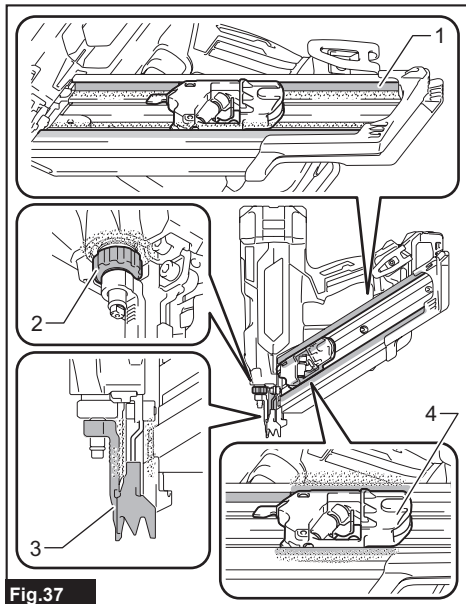


Fig. 37

- 1. Rieles para alimentación 2. Ajustador de profundidad 3. Elemento de contacto 4. Propulsor

Iniciar la posición para inserción

Es posible que el impulsor no esté posicionado correctamente detrás del clavo que se va a accionar luego de un atasco del clavo o en condiciones de batería baja. Realice siempre los pasos de inicialización antes de reiniciar la operación.

1. Retire el cartucho de batería de la herramienta.
2. Saque todos los clavos que quedan en el cartucho.
3. Observe la posición del impulsor.

Si ve que la punta del impulsor se sale de la guía del impulsor, el elemento de contacto no se puede accionar correctamente durante la inicialización.

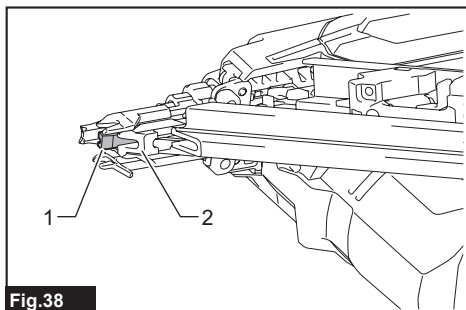


Fig. 38

- 1. Impulsor 2. Guía del impulsor

Gire el ajustador de profundidad para establecerlo en la posición más superficial para que el elemento de contacto funcione correctamente.

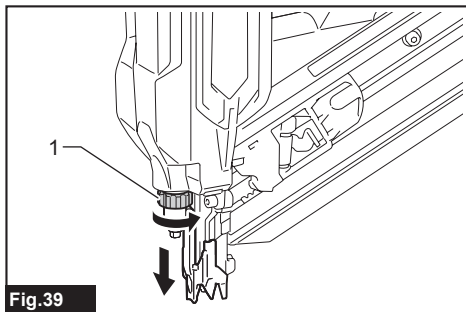


Fig. 39

- 1. Ajustador de profundidad

4. Instale el cartucho de batería en su lugar, y encienda la herramienta.
5. Jale la palanca pulsadora hacia abajo y manténgala en su lugar. Luego, coloque el elemento de contacto contra el material que puede dañarse.
6. Tire completamente del gatillo interruptor, con el elemento de contacto accionado, para restablecer la posición del impulsor.

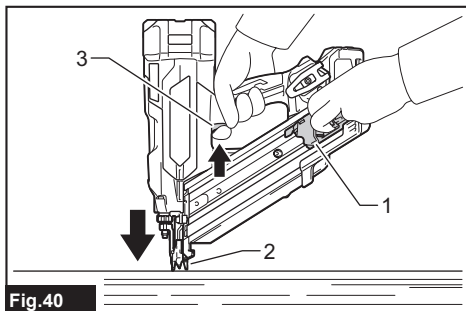


Fig. 40

- 1. Palanca pulsadora 2. Elemento de contacto 3. Gatillo interruptor

La posición del impulsor se iniciará correctamente.

7. Retire el cartucho de batería de la herramienta. Recargue los clavos en el cartucho. Inserte el cartucho de batería de vuelta en la herramienta.

ACCESORIOS OPCIONALES

⚠PRECAUCIÓN: Estos accesorios o aditamentos están recomendados para utilizarse con su herramienta Makita especificada en este manual. El empleo de cualquier otro accesorio o aditamento puede conllevar el riesgo de lesiones personales. Utilice los accesorios o aditamentos solamente para su fin establecido.

Si necesita cualquier ayuda para más detalles en relación con estos accesorios, pregunte a su centro de servicio local Makita.

- Clavos
- Cartuchos de capacidad extendida
- Adaptador para levantar la cabeza del clavo
- Batería y cargador originales de Makita

NOTA: Algunos de los artículos en la lista pueden incluirse en el paquete de la herramienta como accesorios estándar. Éstos pueden variar de país a país.

GARANTÍA LIMITADA DE MAKITA

Ésta Garantía no aplica para México

Consulte la hoja de la garantía anexa para ver los términos más vigentes de la garantía aplicable a este producto. En caso de no disponer de esta hoja de garantía anexa, consulte los detalles sobre la garantía descritos en el sitio web de su país respectivo indicado a continuación.

Estados Unidos de América: www.makitatools.com

Canadá: www.makita.ca

Otros países: www.makita.com

< USA only >

WARNING

Some dust created by power sanding, sawing, grinding, drilling, and other construction activities contains chemicals known to the State of California to cause cancer, birth defects or other reproductive harm. Some examples of these chemicals are:

- lead from lead-based paints,
- crystalline silica from bricks and cement and other masonry products, and
- arsenic and chromium from chemically-treated lumber.

Your risk from these exposures varies, depending on how often you do this type of work. To reduce your exposure to these chemicals: work in a well ventilated area, and work with approved safety equipment, such as those dust masks that are specially designed to filter out microscopic particles.

< Sólo en los Estados Unidos >

ADVERTENCIA

Algunos polvos creados por el lijado, aserrado, esmerilado, taladrado y otras actividades de la construcción contienen sustancias químicas reconocidas por el Estado de California como causantes de cáncer, defectos de nacimiento y otros peligros de reproducción. Algunos ejemplos de estos productos químicos son:

- plomo de pinturas a base de plomo,
- sílice cristalino de ladrillos y cemento y otros productos de albañilería, y
- arsénico y cromo de maderas tratadas químicamente.

El riesgo al que se expone varía, dependiendo de la frecuencia con la que realice este tipo de trabajo. Para reducir la exposición a estos productos químicos: trabaje en un área bien ventilada y póngase el equipo de seguridad indicado, tal como las máscaras contra polvo que están especialmente diseñadas para filtrar partículas microscópicas.

Makita Corporation

3-11-8, Sumiyoshi-cho,
Anjo, Aichi 446-8502 Japan

www.makita.com

885B29-932
BN001G-1
EN, FRCA, ESMX
20250616